

STANDING DATA FOR MSATS

PREPARED BY: AEMO Markets
DOCUMENT REF:
VERSION: 5.0
EFFECTIVE DATE: 6 February 2022
STATUS: [FinalDraft for industry comment – 30 August 2019](#)

Approved for distribution and use by:

APPROVED BY: Peter Geers
TITLE: Chief Strategy and Markets Officer

DATE: [15 November 2019](#)~~TBA~~

VERSION RELEASE HISTORY

Version	Effective Date	Summary of Changes
4.0	Aug 2009	Update to AEMO Format.
4.1	19/04/2012	Updates to NMI Data tables to include Feeder Class, Customer Classification Code & Customer Threshold Code and minor data corrections.
4.2	28/08/2013	Updated wording for Nx suffixes in sections 8, 9 and 12. Updated reference to the CATS Procedures for Embedded Networks in section 7. Added new data stream type codes under section 11: Reference Tables. Updated reference to the NEM Metrology Procedures in section 15.
4.3	1 December 2017	Updated to incorporate: <ul style="list-style-type: none"> National Electricity Amendment (Expanding competition in metering and related services) Rule 2015. No.12; National Electricity Amendment (Embedded Networks) Rule 2015 No. 15; and National Electricity Amendment (Meter Replacement Processes) Rule 2016 No. 2.
4.4	1 December 2017	Final Version.
5.0	6 February 2022	Updated to incorporate amendments for National Electricity Amendment (Global Settlement and Market Reconciliation) Rule 2018 No 14.

CONTENTS

1.	INTRODUCTION	6
1.1.	Purpose and scope	6
1.2.	Definitions and interpretation	6
1.3.	Related documents	6
2.	BACKGROUND	6
3.	CONVENTIONS USED WITHIN THIS DOCUMENT	7
3.1.	Column Headed: Standing Data Required	7
3.2.	NMIs Affected	7
4.	CATS METER REGISTER	9
4.1.	Field definitions	9
4.2.	Cross Reference of Browser and aseXML Data Elements	12
4.3.	Field value examples	15
5.	CATS DLF CODES	18
5.1.	Field definitions	18
5.2.	Cross Reference of Browser and aseXML Data Elements	19
5.3.	Field value examples	19
6.	CATS EMB NET ID CODES	21
6.1.	Field definitions	21
6.2.	Cross Reference of Browser and aseXML Data Elements	22
6.3.	Field value examples	22
7.	CATS NMI DATA	24
7.1.	Field definitions	24
7.2.	Cross Reference of Browser and aseXML Data Elements	26
7.3.	Field value examples	29
8.	CATS NMI DATA STREAM	32
8.1.	Field definitions	32
8.2.	Cross Reference of Browser and aseXML Data Elements	33
8.3.	Field value examples	34
9.	CATS REGISTER IDENTIFIER	36
9.1.	Field definitions	36
9.2.	Cross Reference of Browser and aseXML Data Elements	38
9.3.	Field value examples	40
10.	CATS NMI PARTICIPANT RELATIONS	41
10.1.	Field definitions	41
10.2.	Cross Reference of Browser and aseXML Data Elements	41

11. REFERENCE TABLES	43
12. USE OF NMI SUFFIX TO POPULATE CATS REGISTER IDENTIFIER	45
13. ASSIGNMENT OF DATA – ACCUMULATION METERS	48
13.1. Single Meter, no controlled load	48
13.2. Two Single Element Meters, no controlled load	48
13.3. Two Single Element Meters, one with controlled load	49
13.4. One Meter with Two Registers, one measuring a controlled load	49
13.5. Single Multi-function Meter	49
13.6. Two meters, three registers. One register measures a controlled load	50
14. ASSIGNMENT OF DATA – INTERVAL METERS	51
14.1. One meter	51
14.2. Import/Export meter	51
14.3. One meter: multiple registers	52
14.4. One meter: Twin Measurement Elements	52
14.5. NCONUML and UMCP	53
15. ASSIGNMENTS OF DATA – SAMPLE METERS	54
15.1. Multifunction Sample Meter	54
16. DATA TYPE CONVENTIONS	70

TABLES

Table 1 MSATS Master Tables	6
Table 2 Explanation of Standing Data Requirements	7
Table 3 CATS METER REGISTER - Field definitions	9
Table 4 CATS METER REGISTER – Browser cross refernce	12
Table 5 CATS METER REGISTER - Examples	15
Table 6 CATS DLF CODES- Field definitions.....	18
Table 7 CATS DLF CODES- - Browser cross reference.....	19
Table 8 CATS DLF CODES- Examples.....	20
Table 9 CATS EMB NET ID CODES- Field definition	21
Table 10 CATS EMB NET ID CODES- Browser	22
Table 11 CATS EMB NET ID CODES- Example	23
Table 12 CATS NMI DATA- Field definitions	24
Table 13 CATS NMI DATA- Browser cross reference.....	27
Table 14 CATS NMI DATA- Examples	30
Table 15 CATS NMI DATA STREAM- Field definitions.....	32
Table 16 CATS NMI DATA STREAM- Browser cross reference	34
Table 17 CATS NMI DATA STREAM- Example.....	34
Table 18 CATS REGISTER IDENTIFIER- Field definitions.....	36

[Table 19 CATS REGISTER IDENTIFIER- Browser cross reference 38](#)

[Table 20 CATS REGISTER IDENTIFIER- Examples..... 40](#)

[Table 21 CATS NMI PARTICIPANT RELATIONS- Field definitions..... 41](#)

[Table 22 CATS NMI PARTICIPANT RELATIONS- Browser..... 42](#)

[Table 23 Valid Aggregate Codes..... 43](#)

[Table 24 Valid Consumption Type Codes 43](#)

[Table 25 Valid Datastream Type Codes 43](#)

[Table 26 Valid Profile Codes..... 43](#)

[Table 27 Example CATS NMI DATA STREAM 48](#)

[Table 28 Example CATS REGISTER IDENTIFIER..... 48](#)

[Table 29 Example CATS NMI DATA STREAM 48](#)

[Table 30 Example CATS REGISTER IDENTIFIER..... 48](#)

[Table 31 Example CATS NMI DATA STREAM 49](#)

[Table 32 Example CATS REGISTER IDENTIFIER..... 49](#)

[Table 33 Example CATS NMI DATA STREAM 49](#)

[Table 34 Example CATS REGISTER IDENTIFIER..... 49](#)

[Table 35 Example CATS NMI DATA STREAM 49](#)

[Table 36 Example CATS REGISTER IDENTIFIER..... 50](#)

[Table 37 Example CATS NMI DATA STREAM 50](#)

[Table 38 Example CATS REGISTER IDENTIFIER..... 50](#)

[Table 39 Example CATS NMI DATA STREAM 51](#)

[Table 40 Example CATS REGISTER IDENTIFIER..... 51](#)

[Table 41 Example CATS NMI DATA STREAM 51](#)

[Table 42 Example CATS REGISTER IDENTIFIER..... 51](#)

[Table 43 Example CATS NMI DATA STREAM 52](#)

[Table 44 Example CATS REGISTER IDENTIFIER..... 52](#)

[Table 45 Example CATS NMI DATA STREAM 52](#)

[Table 46 Example CATS REGISTER IDENTIFIER..... 53](#)

[Table 47 Example CATS NMI DATA STREAM 53](#)

[Table 48 Example CATS REGISTER IDENTIFIER..... 53](#)

[Table 49 Example CATS NMI DATA STREAM 54](#)

[Table 50 Example CATS REGISTER IDENTIFIER..... 54](#)

1. INTRODUCTION

1.1. Purpose and scope

This document details the data requirements for the various data elements comprising the CATS Standing Data stored for each *NMI*, together with relevant examples and definitions.

1.2. Definitions and interpretation

The Retail Electricity Market Procedures – Glossary and Framework:

- (a) is incorporated into and forms part of this document; and
- (b) should be read with this document.

1.3. Related documents

Title	Location
Retail Electricity Market Procedures – Glossary and Framework	http://aemo.com.au/Electricity/National-Electricity-Market-NEM/Retail-and-metering/Glossary-and-Framework https://www.aemo.com.au/Electricity/National-Electricity-Market-NEM/Retail-and-metering
CATS Procedures	http://www.aemo.com.au/Electricity/National-Electricity-Market-NEM/Retail-and-metering/Market-Settlement-and-Transfer-Solutions
WIGS Procedures	http://www.aemo.com.au/Electricity/National-Electricity-Market-NEM/Retail-and-metering/Market-Settlement-and-Transfer-Solutions
MDM Procedures	http://www.aemo.com.au/Electricity/National-Electricity-Market-NEM/Retail-and-metering/Market-Settlement-and-Transfer-Solutions
MSATS CATS History Model	http://www.aemo.com.au/Electricity/National-Electricity-Market-NEM/Retail-and-metering/Market-Settlement-and-Transfer-Solutions
MSATS Guides	http://www.aemo.com.au/Electricity/National-Electricity-Market-NEM/Retail-and-metering/Market-Settlement-and-Transfer-Solutions

2. BACKGROUND

The five MSATS master tables contain the standing data stored for each *NMI*. They are the following:

Table 1 MSATS Master Tables

Table	Summary of Contents
CATS_NMI_DATA	Address, TNI Code, DLF Code, aggregate flag, embedded network names, Jurisdiction, NMI status code, etc.
CATS_NMI_PARTICIPANT_RELATIONS	Roles and associated Participants. Separate records are maintained for each Role/Participant relationship.
CATS_NMI_DATA_STREAM	Suffix, ADL Code, Profile Name, Datastream type and datastream status of each MDM Datastream.
CATS_METER_REGISTER	Meter Serial ID, meter type, meter manufacturer, test results, etc.

Table	Summary of Contents
CATS_REGISTER_IDENTIFIER	Meter Serial ID, Network Tariff Code, unit of measure etc.

For a *NMI* to be capable of being used in MSATS, it must have the following minimum set of data:

- At least one record on the CATS_NMI_DATA table; and
- At least eight records on the CATS_NMI_PARTICIPANT_RELATIONS table, one for each of the mandatory roles (ROLR, LNSP, LR, RP, FRMP, MDP, MPC and MPB).
- ~~At least one record in the CATS_NMI_DATA_STREAM table.~~

It will also normally have:

- At least one record on each of the CATS_METER_REGISTER and CATS_REGISTER_IDENTIFIER (there should be at least one record for each *meter* and register associated with the *NMI*) tables.

NMIs may or may not have:

Records on the CATS NMI DATA STREAM table. If metering data is to be submitted for settlements, UFE calculations or Vic TUOS there must be at least one record on this table.

Every time a change is made to any of the data in any of these tables, the old records are made inactive and new records are created, thus ensuring that there is a complete history of all changes.

3. CONVENTIONS USED WITHIN THIS DOCUMENT

The format of the data fields in the ‘Browser Format Column’ column of Tables is as defined in [section 18](#) ~~Section 16~~.

The following information defines the coded entries in columns used in Tables 3, ~~6~~, 9, 12, 15, 18 and 21.

3.1. Column Headed: Standing Data Required

The column indicates the requirement to provide this data to MSATS.

Table 2 Explanation of Standing Data Requirements

Requirement	Description
MANDATORY	Transfer, Validation or processing cannot proceed without this data.
REQUIRED	This data must be provided if this information is available.
OPTIONAL	This data is not required, but will be accepted if delivered.
Address Option 1	AEMO’s preferred address option. If the applicable fields labelled “Address Option 1” cannot be provided, “Address Option 2” is MANDATORY.
Address Option 2	AEMO’s non-preferred address option. If Address Option 1 is provided, these fields are not to be supplied.

3.2. NMIs Affected

Data must be provided for every *NMI* in MSATS. The *NMIs* that must be registered in MSATS are related to:

- All *connection points* where a *transmission network* connects to another ~~to~~ *transmission network*
- All *connection points* where a *transmission network* connects to a *distribution network*, i.e. bulk supply *connection points*

- All *transmission network connection points* where *energy* is directly purchased from the *spot market* by a *Market Customer*, i.e. *wholesale connection points*
- All *connection points* on a *distribution network* that *connect* that *distribution network* to an adjacent *distribution network* (other than an *embedded network*), i.e. *cross boundary connection points*
- Sample *meters* as required by Metrology Procedures Part A to calculate CLP for participating jurisdictions.
- All *connection points* associated with a *non-registered embedded generator*, i.e. a *generating unit* that is not classified by a *Market Generator*, but is eligible to be classified by a *Small Generation Aggregator* as a *market generating unit*.
- All *type 7 loads*
- All *non-contestable unmetered loads*
- All *connection points* associated with a *generating unit* classified by a *Market Generator*.
- All *distribution network connection points* where *energy* is directly purchased from the *spot market* by a *Market Customer*
- All *distribution network connection points* where there is a *market load*
- All *child connection points*.

4. CATS_METER_REGISTER

4.1. Field definitions

The CATS_Meter_Register table is a NMI master table containing data that is stored at the Meter Register level. Information stored at this level includes the NSRD. It is updated whenever a Change Request containing inbound Meter Register data is completed.

Note: References to 'LNSP' include the ENM for *child connection points*.

Table 3 CATS METER REGISTER - Field definitions

Data Element Name	Description	Standing Data Required	Party to Provide
AdditionalSiteInformation	Free text, descriptive of the Site, describing Site access and the relationship between the <i>metering point</i> and the <i>connection point</i>.	OPTIONAL	MPB
AssetManagementPlan	Asset management plan. If a Site plan is used, free text description of plan. If a sample plan is used, the name of the AEMO approved plan.	OPTIONAL	MPB
CalibrationTables	Calibration tables – details of any calibration factors programmed into the <i>meter</i>.	OPTIONAL	MPB
CommunicationsEquipment Type	Used to store baud rate for installed communication equipment in a code, calculated by dividing the baud rate by 100, of the installed communication equipment. For example, 48 = 4800 baud.	OPTIONAL	MPB
CommunicationsProtocol	Used to provide details of access through switch units (if installed). Data to include Switch Unit, Dial Pkg, Port#, userid, password.	OPTIONAL	MPB
DataConversion	Actual Pulse Multipliers.	OPTIONAL	MPB
DataValidations	Free text description of required data validations.	OPTIONAL	MPB
EstimationInstructions	Estimation instructions. Free text field.	OPTIONAL	MPB
LastTestDate	The date on which the <i>metering installation</i> was last tested or inspected by the Metering Provider "B". This date will be used if clause 7.9.4(a) of the NER needs to be applied.	OPTIONAL	MPB
MeasurementType	Code based on the NMI suffix codes, indicating the type of measurements available from the <i>meter</i>. For example, EBQK = bidirectional <i>energy</i> plus reactive Interval Meter.	OPTIONAL NOT USED for types 6 & 7 Transfers.	MPB
Constant	The <i>meter</i> K_E (intrinsic constraint of meter in Wh/pulse).	OPTIONAL	MPB
Hazard	Free text or code identifying hazards associated with reading the <i>meter</i>.	OPTIONAL	MPB
InstallationTypeCode	The <i>InstallationTypeCode</i> may identify attributes of a physical <i>metering installation, metering data</i>	MANDATORY	MPB

	<p>collection methods or <i>metering data</i> calculation methods.</p> <p>This value must correspond to a valid Meter Installation Type Code as referenced in CATS Procedures.</p>		
Location	<p>Free text descriptive material identifying the relationship between the location of the <i>metering point</i> and the <i>connection point</i>.</p>	OPTIONAL	MPB
Manufacturer	<p>Free text field to identify the manufacturer of the installed <i>meter</i>.</p>	OPTIONAL	MPB
Model	<p>Free text field to identify the <i>meter</i> manufacturer's designation for the <i>meter</i> model.</p>	OPTIONAL	MPB
Point	<p>Identifies the <i>meter</i> uniquely for the <i>NMI</i>. In the format 0n, where n is the <i>meter</i> number per the protocol described in the <i>NMI</i> Procedure.</p> <p>The allowed values are 01 to 09, 0A to 0H, 0J to 0N, 0P to 0Z.</p> <p>This will allow an audit trail when one <i>meter</i> is removed and a new <i>meter</i> is given the same MeterPoint value.</p>	OPTIONAL	MPB
Program	<p>Free text field providing a description of the program used to initialise the installed <i>meter</i>.</p>	OPTIONAL	MPB
ReadTypeCode	<p>Code to denote the method and frequency of Meter Reading.</p> <p>First Character = Remote (R) or Manual (M);</p> <p>Second Character = Mode</p> <p>T = telephone</p> <p>W = wireless</p> <p>P = powerline</p> <p>I = infra-red</p> <p>G = galvanic</p> <p>V = visual</p> <p>Third Character = Frequency of Scheduled Meter Readings</p> <p>1 = Twelve times per year</p> <p>2 = Six times per year</p> <p>3 = Four times per year</p> <p>D = Daily or weekly</p> <p>Fourth Character = Undefined.</p> <p>Example:</p> <p>MV3 = Manual, Visual, Quarterly.</p> <p>RWD = Remote, Wireless, Daily (applicable for Vic AMI <i>metering installations</i> where InstallationTypeCode = 'MRIM' and JurisdictionCode = 'Victoria')</p>	OPTIONAL	MPB
Route	<p>The route identifier the <i>meter</i> is currently being read in.</p>	OPTIONAL	MPB
SerialNumber	<p>The Meter Serial ID uniquely identifies a <i>meter</i> for a given <i>NMI</i>. Maximum 12 Characters (alpha numeric). Unique for <i>NMI</i>.</p>	MANDATORY	MPB

	Use a dummy value for UMCP (Type 7), logical (meters) and <i>non-contestable unmetered loads</i>. Except for UMCP, logical and <i>non-contestable unmetered loads</i> (where a dummy value is used), <i>SerialNumber</i> should be as displayed on the physical device (also known as property number if it exists), otherwise the <i>meter</i> manufacturer’s serial number.		
Status	A code to denote the status of the <i>meter</i>. This value must correspond to a valid Meter Register Status as specified in the CATS Procedures.	MANDATORY	MPB
Use	A code identifying how the <i>meter</i> is used.	OPTIONAL	MPB
NextScheduledReadDate	Indicates the Scheduled Next Read Date for the <i>meter</i> if a manual Meter Reading is required.	OPTIONAL	MPB initially, then MDP for updates
NextTestDate	Next date on which the <i>meter</i> should be tested.	OPTIONAL	MPB
NMI	NMI. This number is unique for each <i>connection point</i> within the <i>NEM</i>.	MANDATORY	LNSP
Password	Read & time set passwords separated by a space.	OPTIONAL	MPB
RemotePhoneNumber	The public telephone number to contact a remote Site for <i>metering data</i>. Includes STD prefix and no spaces.	OPTIONAL	MPB
TestCalibrationProgram	Test & calibration program.	OPTIONAL	MPB
TestPerformedBy	Identifying the Metering Provider “B” and the technician responsible for conducting the last test. The technician is to be identified by a number unique to the Metering Provider “B”.	OPTIONAL	MPB
TestResultAccuracy	The accuracy figure from the test performed on the date indicated in the LastTestDate field.	OPTIONAL	MPB
TestResultNotes	A statement of compliance indicating the standard of the test regime applied at the time of the last test.	OPTIONAL	MPB
TransformerLocation	A free text field to identify the existence of instrument transformers and their location relative to the market connection point.	OPTIONAL	MPB
TransformerRatio	A statement of the available and applied transformer ratios.	OPTIONAL	MPB
TransformerType	An explanation of the type of transformation used.	OPTIONAL	MPB
UserAccessRights	Details of any End User access to the <i>metering installation</i>; examples include pulse outputs, interface to consumer load management system, or consumer directly accessing data in <i>meter</i> by special agreement.	OPTIONAL	MPB
FromDate	Start date of the record. This indicates the date on which the parameters of this particular record apply from. The data applies from the beginning of this date (the start of the day, i.e. 00:00).	MANDATORY	Participant sending transaction
ToDate	End date of the record. This indicates the date on which the parameters of this particular record end.	MANDATORY	System generated unless supplied.

	The data applies until the end of this date (the end of the day, i.e. 23:59). A default date of 9999-12-31 is recorded if EndDate is not provided.	(Defaults to high date unless supplied)	
RowStatus	Indicates whether the record is active or inactive. Whenever a new record is created, it will be A (Active). A change to the data will make this record redundant and its MaintActFlg is changed to I (Inactive).	MANDATORY	System generated
MaintenanceDate	Date and time the record was updated. A default date of 9999-12-31 is used when the record is created initially. If the record is subsequently updated, its MaintUpdtDt is changed to the date and time the record was updated.	MANDATORY	System generated
CreationDate	Date and time the record was created.	MANDATORY	System generated

4.2. Cross Reference of Browser and aseXML Data Elements

The table below lists the names that are used in the MSATS browser. The table also provides the aseXML data element names and the respective formats used in each context.

In some cases, such as date fields, the format of the field is shown differently in the Browser to that used in the related aseXML transactions. Also, aseXML uses full words throughout, rather than the coded values used in the Browser.

Section 16 provides [data type conventions](#) of the Browser formats shown in this section.

Table 4 CATS METER REGISTER -- Browser cross reference

Browser Field Name	aseXML Data Element Name	aseXML Path	Browser Format	aseXML Data Type
Additional Site Information	AdditionalSiteInformation	ElectricityMeter/AdditionalSiteInformation	VARCHAR2(100)	xsd:string maxLen = 100
Asset Management Plan	AssetManagementPlan	ElectricityMeter/AssetManagementPlan	VARCHAR2(50)	xsd:string maxLen = 50
Calibration Tables	CalibrationTables	ElectricityMeter/CalibrationTables	VARCHAR2(50)	xsd:string maxLen = 50
Communication Equipment Type	CommunicationsEquipmentType	ElectricityMeter/CommunicationsEquipmentType	VARCHAR2(4)	xsd:string maxLen = 4
Communication Protocol	CommunicationsProtocol	ElectricityMeter/CommunicationsProtocol	VARCHAR2(50)	xsd:string maxLen = 50
Data Conversion	DataConversion	ElectricityMeter/DataConversion	VARCHAR2(50)	xsd:string maxLen = 50
Data Validations	DataValidations	ElectricityMeter/DataValidations	VARCHAR2(50)	xsd:string maxLen = 50
Estimation Instruction	EstimationInstructions	ElectricityMeter/EstimationInstructions	VARCHAR2(50)	xsd:string maxLen = 50
Last Test Date	LastTestDate	ElectricityMeter/LastTestDate	dd-mmm-yyyy	xsd:date

STANDING DATA FOR MSATS

Measurement Type	MeasurementType	ElectricityMeter/MeasurementType	VARCHAR2(4)	xsd:string maxLen = 4
Meter Constant	Constant	ElectricityMeter/Constant	VARCHAR2(12)	xsd:string maxLen = 12
Meter Hazard	Hazard	ElectricityMeter/Hazard	VARCHAR2(12)	xsd:string maxLen = 12
Meter Installation Type Code	InstallationTypeCode	ElectricityMeter/InstallationTypeCode	VARCHAR2(8)	xsd:string maxLen = 8
Meter Location	Location	ElectricityMeter/Location	VARCHAR2(50) See AddlSiteInfo (above)	xsd:string maxLen = 50
Meter Manufacturer	Manufacturer	ElectricityMeter/Manufacturer	VARCHAR2(15)	xsd:string maxLen = 15
Meter Model	Model	ElectricityMeter/Model	VARCHAR2(12)	xsd:string maxLen = 12
Meter Point	Point	ElectricityMeter/Point	VARCHAR(2)	xsd:string maxLen = 2
Meter Program	Program	ElectricityMeter/Program	VARCHAR2(30)	xsd:string maxLen = 30
Meter Read Type	ReadTypeCode	ElectricityMeter/ReadTypeCode	VARCHAR(4)	xsd:string maxLen = 4
Meter Route	Route	ElectricityMeter/Route	VARCHAR2(12)	xsd:string maxLen = 12
Meter Serial ID Meter ID (Different on two screens)	SerialNumber	ElectricityMeter/SerialNumber	VARCHAR2(12)	xsd:string maxLen = 12
Status Code	Status	ElectricityMeter/Status	CHAR(1)	xsd:string with enumeration
Meter Use	Use	ElectricityMeter/Use	VARCHAR2(10)	xsd:string maxLen = 10
Next Scheduled Read Date	NextScheduled ReadDate	ElectricityMeter/NextScheduled ReadDate	dd-mmm-yyyy	xsd:date
Next Test Date	NextTestDate	ElectricityMeter/NextTestDate	dd-mmm-yyyy	xsd:date
NMI	NMI	NMI	CHAR(10)	xsd:string maxLen = 10
Passwords	Password	ElectricityMeter/Password	VARCHAR2(20)	xsd:string maxLen = 20
Remote Phone Number	RemotePhoneNumber	ElectricityMeter/RemotePhone Number	VARCHAR2(12)	xsd:string maxLen = 12
Test & Calibration Program	TestCalibrationProgram	ElectricityMeter/TestCalibration Program	VARCHAR2(50)	xsd:string maxLen = 50
Test Performed By	TestPerformedBy	ElectricityMeter/TestPerformedBy	VARCHAR2(20)	xsd:string maxLen = 20

STANDING DATA FOR MSATS

Test Result Accuracy	TestResultAccuracy	ElectricityMeter/TestResultAccuracy	NUMBER(8,5)	xsd:decimal totalDigits = 8 fractionDigits = 5
Test Result Notes	TestResultNotes	ElectricityMeter/TestResultNotes	VARCHAR2(50)	xsd:string maxLength = 50
Transformer Location	TransformerLocation	ElectricityMeter/TransformerLocation	VARCHAR2(30)	xsd:string maxLength = 30
Transformer Ratio	TransformerRatio	ElectricityMeter/TransformerRatio	VARCHAR2(20)	xsd:string maxLength = 20
Transformer Type	TransformerType	ElectricityMeter/TransformerType	VARCHAR2(20)	xsd:string maxLength = 20
User Access Rights	UserAccessRights	ElectricityMeter/UserAccessRights	VARCHAR2(50)	xsd:string maxLength = 50
Start Date	FromDate	FromDate	dd-mmm-yyyy	xsd:dateTime
End Date	ToDate	ToDate	dd-mmm-yyyy	xsd:dateTime
Updated On	MaintenanceDate	MaintenanceDate	dd-mmm-yyyy (summary screen) dd-mmm-yyyy hh:mm:ss (detail screen)	xsd:dateTime
Created On	CreationDate	CreationDate	dd-mmm-yyyy (summary screen) dd-mmm-yyyy hh:mm:ss (detail screen)	xsd:dateTime
Activity Status	RowStatus	RowStatus	CHAR(1)	xsd:string with enumeration

4.3. Field value examples

This section provides examples of typical sets of data element values associated with different types of *connection points*.

The data shown in each example is as shown in the Browser. This reverses the sequence of the day-month-year communicated via aseXML transactions.

Table 5 CATS METER REGISTER - Examples

Data Element Name (as it appears in XML documents)	Browser Field Name(as it appears in MSATS Browser)	Basic Example	Interval Example	Data Element Name
AdditionalSiteInformation	Additional Site Information	MTR ON SITE AT 17B	Red Rooster	AdditionalSiteInformation
AssetManagementPlan	Asset Management Plan	CITIPOWER METER MANAGEMENT PLAN	PER CE DOC: TYPES 1-4 ASSET MANAGEMENT & TEST PLAN	AssetManagementPlan
CalibrationTables	Calibration Tables	Q		CalibrationTables
CommunicationsEquipmentType	Communication Equipment Type	FACE	96	CommunicationsEquipmentType
CommunicationsProtocol	Communication Protocol	NA	EMAIL MINI GATEWAY S/N SU121 MV90 2 TBD TBD	CommunicationsProtocol
DataConversion	Data Conversion	.0005	.0005	DataConversion
DataValidations	Data Validations	As per Metrology Procedure Part B	As per Metrology Procedure Part B	DataValidations
EstimationInstructions	Estimation Instruction	As per Metrology Procedure Part B (TYPES -61, 62, 65)	As per Metrology Procedure Part B (TYPES -14)	EstimationInstructions
LastTestDate	Last Test Date	07-05-2004	07-03-2004	LastTestDate
MeasurementType	Measurement Type	EQ	EQ	MeasurementType
Constant	Meter Constant	40	.5	Constant
Hazard	Meter Hazard		Asbestos	Hazard
InstallationTypeCode	Meter Installation Type Code	BASIC	COMMS4	InstallationTypeCode
Location	Meter Location	ON SUB POLE	BEHIND DOOR	Location
Manufacturer	Meter Manufacturer	EMAIL	EDMI	Manufacturer

STANDING DATA FOR MSATS

Model	Meter Model	Q3	Q4	Model
Point	Meter Point	01	01	Point
Program	Meter Program	30 - NP 3.2 CT FACE PLATE READ	10- AE CT kVAR 9600	Program
ReadTypeCode	Meter Read Type	MV3	RTD	ReadTypeCode
Route	Meter Route	11618	1305	Route
SerialNumber	Meter Serial ID, Meter ID (Different on two screens)	525811	201000299	SerialNumber
Status	Status Code	C	C	Status
Use	Meter Use	REVENUE	REVENUE	Use
NextScheduledReadDate	Next Scheduled Read Date	04-10-2006		NextScheduledReadDate
NextTestDate	Next Test Date	17-05-2004	10-05-2004	NextTestDate
NMI	NMI	1122334455	1122334455	NMI
Password	Passwords	12345	12345	Password
RemotePhoneNumber	Remote Phone Number	FACE READ	0555 825 987	RemotePhoneNumber
TestCalibrationProgram	Test & Calibration Program	AS PER AS/NZ 1284	AS PER AS/NZ 1284	TestCalibrationProgram
TestPerformedBy	Test Performed By	Ron Sargeant	SMU	TestPerformedBy
TestResultAccuracy	Test Result Accuracy	-0.20000	-0.11000	TestResultAccuracy
TestResultNotes	Test Result Notes	CHECK AND RESEAL METER	METER TEST CORRECT	TestResultNotes
TransformerLocation	Transformer Location		REAR OFBUILDING	TransformerLocation
TransformerRatio	Transformer Ratio		1500/5	TransformerRatio
TransformerType	Transformer Type		24 WIRE WOUND	TransformerType
UserAccessRights	User Access Rights	AS PER AS/NZ 1284	MDP ONLY ACCESS	UserAccessRights
FromDate	Start Date	14-03-1990	16-03-2002	FromDate
ToDate	End Date	31-12-9999	18-07-2006	ToDate
MaintenanceDate	Updated On	31-12-9999 (Summary screen) 31-12-9999 00:00:00 (Detail screen)	31-12-9999 (Summary screen) 31-12-9999 00:00:00 (Detail screen)	MaintenanceDate
CreationDate	Created On	19-03-1990 (Summary screen)	18-03-2002 (Summary screen)	CreationDate

STANDING DATA FOR MSATS

		19-03-1990 00:01:00 (Detail screen)	18-03-2002 00:01:00 (Detail screen)	
RowStatus	Activity Status	A	A	RowStatus

5. CATS_DLF_CODES

5.1. Field definitions

The CATS_DLF_Codes table contains a list of DLF Codes and their relevant values. The StartDate and DLFCode fields will need to be provided for *settlements* calculations.

Note: References to 'LNSP' include the ENM for child *connection points*.

Table 6 CATS_DLF_CODES- Field definitions

Data Element Name	Description	Standing Data Required	Party to Provide
DistributionLossFactorCode	A four character alpha-numeric code used to identify DLF values. All <i>NMIs</i> must be assigned a DLF Code. Refer to AEMO Distribution Loss Factor documents for each financial year.-	MANDATORY	AEMO
DistributionLossFactorDescription	Description of the DLF Code and value.	MANDATORY	AEMO
DistributionLossFactor Value	Numeric value up to 5 decimal places, reflecting the value of the DLF Code.	MANDATORY	AEMO
JurisdictionCode	Jurisdiction code to which the <i>NMI</i> belongs. This value must correspond to Jurisdiction Code values as specified in the MSATS Procedures -CATS Procedures.	MANDATORY	AEMO
RowStatus	Indicates whether the DLF Code is active or inactive. Whenever a new record is created, it will be A (Active). A change to the data will make this record redundant and its MaintActFlg is changed to I (Inactive).	MANDATORY	System generated
FromDate	Start date of the record. This indicates the date on which the parameters of this particular record apply from. The data applies from the beginning of this date (the start of the day, i.e. 00:00).	MANDATORY	AEMO
ToDate	End date of the record. This indicates the date on which the parameters of this particular record end. The data applies until the end of this date (the end of the day, i.e. 23:59). A default date of 9999-12-31 is recorded if EndDate is not provided.	MANDATORY	System generated
MaintenanceDate	Date and time the record was updated. A default date of 9999-12-31 is used when the record is created initially. If the record is subsequently updated, its MaintUpdtDt is changed to the date and time the record was updated.	MANDATORY	System generated
CreationDate	Date and time the record was created.	MANDATORY	System generated

5.2. Cross Reference of Browser and aseXML Data Elements

The table below lists the names that are used in the MSATS browser. The table also provides the aseXML data element names and the respective formats used in each context.

In some cases, such as date fields, the format of the field is shown differently in the Browser to that used in the related aseXML transactions. Also, aseXML uses full words throughout, rather than the coded values used in the Browser.

Section 16 provides [data type conventions](#) of the Browser formats shown in this section.

Table 7 CATS DLF CODES- - Browser cross reference

Browser Field Name	aseXML Data Element Name	aseXML Path	Browser Format	aseXML Data Type
DLF Code	DistributionLossFactorCode	DistributionLossFactorCode	VARCHAR2(4)	xsd:string maxLen = 4
Description	DistributionLossFactorDescription	DistributionLossFactorDescription	VARCHAR2(50)	xsd:string maxLen = 50
DLF Value	DistributionLossFactorValue	DistributionLossFactorValue	NUMBER(6,5)	xsd:decimal minIncl = 0 maxIncl = 2 totdig = 6 fracdig = 5
Jurisdiction	JurisdictionCode	ElectricityStandingData/MasterData/JurisdictionCode	VARCHAR2(3)	xsd:string maxLen = 3
Activity Status	RowStatus	RowStatus	CHAR(1)	xsd:string with enumeration
Start Date	FromDate	FromDate	dd-mmm-yyyy	xsd:dateTime
End Date	ToDate	ToDate	dd-mmm-yyyy	xsd:dateTime
Updated On	MaintenanceDate	MaintenanceDate	dd-mmm-yyyy (summary screen) dd-mmm-yyyy hh:mm:ss (detail screen)	xsd:dateTime
Created On	CreationDate	CreationDate	dd-mmm-yyyy (summary screen) dd-mmm-yyyy hh:mm:ss (detail screen)	xsd:dateTime

5.3. Field value examples

This section provides examples of typical sets of data element values associated with different types of connection points.

The data shown in each example is as shown in the Browser. This reverses the sequence of the day-month-year communicated via aseXML transactions.

Table 8 CATS DLF CODES- Examples

<u>Data Element Name</u>	<u>Browser Field Name</u>	<u>Basic & Interval Example</u>
<u>DistributionLossFactorCode</u>	<u>DLF Code</u>	<u>NHV1</u>
<u>DistributionLossFactorDescription</u>	<u>Description</u>	<u>UMPLP - High Voltage</u>
<u>DistributionLossFactorValue</u>	<u>[The actual DLF value]</u>	<u>1.11111</u>
<u>JurisdictionCode</u>	<u>Jurisdiction Code</u>	<u>SA</u>
<u>RowStatus</u>	<u>Activity Status</u>	<u>A</u>
<u>FromDate</u>	<u>Start Date</u>	<u>01-07-1999</u>
<u>ToDate</u>	<u>End Date</u>	<u>30-06-2000</u>
<u>MaintenanceDate</u>	<u>Updated On</u>	<u>31-05-2000 (Summary Screen)</u> <u>31-05-2000 00:30:27 (Detail Screen)</u>
<u>CreationDate</u>	<u>Created On</u>	<u>01-06-1999 (Summary Screen)</u> <u>01-06-1999 00:23:32 (Detail Screen)</u>

6. CATS_EMB_NET_ID_CODES

6.1. Field definitions

The CATS_EMB_NET_ID_CODES table contains embedded network identifier codes, which are used to identify which *embedded network* a NMI belongs to, either as a Parent NMI or a Child NMI.

Note: References to 'LNSP' include the ENM for *child connection points*.

Table 9 CATS_EMB_NET_ID_CODES - Field definition

Data Element Name	Description	Standing Data Required	Party to Provide
EmbeddedNetwork Identifier	Embedded Network Code. Refer to Allocation of Embedded Network Codes for further details.	MANDATORY	AEMO
EmbeddedNetwork Description	Description of embedded network identifier.	MANDATORY	AEMO
SuburbOrPlaceOrLocality	Locality to which the embedded network identifier belongs.	MANDATORY	AEMO
PostCode	Postcode for the locality to which the embedded network identifier belongs.	MANDATORY	AEMO
StateOrTerritory	State or Territory abbreviation in accordance with AS 4590.	MANDATORY	AEMO
RowStatus	Indicates whether the code is active or inactive. Whenever a new record is created, it will be A (Active). A change to the data will make this record redundant and its MaintActFlg is changed to I (Inactive).	MANDATORY	System generated
FromDate	Start date of the record. This indicates the date on which the parameters of this particular record apply from. The data applies from the beginning of this date (the start of the day, i.e. 00:00).	MANDATORY	AEMO
ToDate	End date of the record. This indicates the date on which the parameters of this particular record end. The data applies until the end of this date (the end of the day, i.e. 23:59). A default date of 9999-12-31 is recorded if EndDate is not provided.	MANDATORY	System generated
MaintenanceDate	Date and time the record was updated. A default date of 9999-12-31 is used when the record is created initially. If the record is subsequently updated, its MaintUpdtDt is changed to the date and time the record was updated.	MANDATORY	System generated
CreationDate	Date and time the record was created.	MANDATORY	System generated

6.2. Cross Reference of Browser and aseXML Data Elements

The table below list the names that are used in the MSATS browser. The table also provides the aseXML data element names and the respective formats used in each context.

In some cases, such as date fields, the format of the field is shown differently in the Browser to that used in the related aseXML transactions. Also, aseXML uses full words throughout, rather than the coded values used in the Browser.

Section 16 provides [data type conventions](#) of the Browser formats shown in this section.

Table 10 CATS EMB NET ID CODES- Browser

Browser Field Name	aseXML Data Element Name	aseXML Path	Browser Format	aseXML Data Type
Code	EmbeddedNetworkIdentifier	EmbeddedNetworkIdentifier	VARCHAR2(10)	xsd:string maxLen = 10
Description	EmbeddedNetworkDescription	EmbeddedNetworkDescription	VARCHAR2(50)	xsd:string maxLen = 50
Locality/Suburb	SuburbOrPlaceOrLocality	ElectricityStandingData/MasterData/Address/AustralianAddress/SuburbOrPlaceOrLocality	VARCHAR2(46)	xsd:string maxLen = 46
Postcode	PostCode	ElectricityStandingData/MasterData/Address/AustralianAddress/PostCode	VARCHAR2(4)	xsd:string pattern: [\p{N}]{4}
State	StateOrTerritory	ElectricityStandingData/MasterData/Address/AustralianAddress/StateOrTerritory	VARCHAR2(3)	xsd:string with enumerations
Activity Status	RowStatus	RowStatus	CHAR(1)	xsd:string with enumeration
Start Date	FromDate	FromDate	dd-mmm-yyyy	xsd:dateTime
End Date	ToDate	ToDate	dd-mmm-yyyy	xsd:dateTime
Updated On	MaintenanceDate	MaintenanceDate	dd-mmm-yyyy (summary screen) dd-mmm-yyyy hh:mm:ss (detail screen)	xsd:dateTime
Created On	CreationDate	CreationDate	dd-mmm-yyyy (summary screen) dd-mmm-yyyy hh:mm:ss (detail screen)	xsd:dateTime

6.3. Field value examples

This section provides examples of typical sets of data element values associated with different types of *connection points*.

The data shown in each example is as shown in the Browser. This reverses the sequence of the day-month-year communicated via aseXML transactions.

Table 11 CATS EMB NET ID CODES- Example

<u>Data Element Name</u>	<u>Browser Field Name</u>	<u>Basic & Basic Example</u>
<u>EmbeddedNetworkIdentifier</u>	<u>Code</u>	<u>SE01008111</u>
<u>EmbeddedNetworkDescription</u>	<u>Description</u>	<u>Kingston-On-Murray Caravan Park</u>
<u>SuburbOrPlaceOrLocality</u>	<u>Suburb / Locality</u>	<u>Kingston-On-Murray</u>
<u>PostCode</u>	<u>Postcode</u>	<u>5331</u>
<u>StateOrTerritory</u>	<u>State</u>	<u>SA</u>
<u>RowStatus</u>	<u>Activity Status</u>	<u>A</u>
<u>FromDate</u>	<u>Start Date</u>	<u>05-04-2003</u>
<u>ToDate</u>	<u>End Date</u>	<u>31-12-9999</u>
<u>MaintenanceDate</u>	<u>Updated On</u>	<u>31-12-9999 (Summary Screen)</u> <u>31-12-9999 13:23:35 (Detail Screen)</u>
<u>CreationDate</u>	<u>Created On</u>	<u>01-04-2003 (Summary Screen)</u> <u>01-04-2003 13:23:35 (Detail Screen)</u>

7. CATS_NMI_DATA

7.1. Field definitions

The CATS_NMI_DATA table records Master NMI Record data information. It is updated whenever a Change Request containing data in the CATS_INBOUND_NMI_DATA table is completed.

Note: References to 'LNSP' include the ENM for *child connection points*.

Table 12 CATS_NMI_DATA- Field definitions

Data Element Name	Description	Standing Data Required	Party to Provide
NMI	<i>NMI</i> . All alpha characters are Upper Case.	MANDATORY	LNSP
NMI ClassificationCode	Code used to indicate the NMI Classification Code of this <i>NMI</i> . This value must correspond to NMI Classification Code values as specified in the MSATS Procedures: CATS Procedures .	MANDATORY	LNSP
MasterData/ StatusCode	Code used to indicate the status of the <i>NMI</i> . This value must correspond to NMI Status Code values as specified in the MSATS Procedures: CATS Procedures .	MANDATORY	LNSP
TransmissionNode Identifier	This value must correspond to a valid code in the CATS_TNI_Codes table.	MANDATORY	LNSP
JurisdictionCode	Jurisdiction code to which the <i>NMI</i> belongs. This code defines the jurisdictional rules which apply to the transfer of this <i>NMI</i> . This value must correspond to Jurisdiction Code values as specified in the MSATS Procedures: CATS Procedures .	MANDATORY	LNSP
DistributionLoss FactorCode	Distribution Loss Factor Code. Must be a valid code in the CATS_DLF_Codes table.	MANDATORY	LNSP
ChildEmbedded NetworkIdentifier	The embedded network identifier code is used to identify which embedded network this given <i>NMI</i> is the 'child of'. (If on a <i>NMI</i> record this field is not populated, it is assumed the <i>NMI</i> is not the child of any other <i>NMI</i> .) Must be a valid code within the CATS_Emb_Net_ID_Codes table. This field cannot be used unless the Parent <i>NMI</i> has been created and assigned an embedded network identifier code. Refer section 30.4.a of the CATS Procedure.	REQUIRED	LNSP
ParentEmbedded NetworkIdentifier	The embedded network identifier code is used to identify which <i>embedded network</i> this given <i>NMI</i> is the 'parent of'. (If on a <i>NMI</i> record this field is not populated, it is assumed the <i>NMI</i> is not the parent of any other <i>NMI</i> .) Must be a valid code within the CATS_Emb_Net_ID_Codes table.	REQUIRED	LNSP

STANDING DATA FOR MSATS

BuildingOrPropertyName	A free text description of the full name used to identify the physical building or property as part of its location.	Address Option 1	LNSP
LotNumber	The lot reference number allocated to an address prior to street numbering. The word 'LOT' is not required.	Address Option 1	LNSP
FlatOrUnitNumber	Specification of the number of the flat or unit which is a separately identifiable portion within a building/complex.	Address Option 1	LNSP
FlatOrUnitType	Specification of the type of flat or unit which is a separately identifiable portion within a building/complex. This value must correspond to a valid Flat Type Code, reference AS4590.	Address Option 1	LNSP
FloorOrLevelNumber	Floor Number is used to identify the floor or level of a multi-storey building/complex.	Address Option 1	LNSP
FloorOrLevelType	Floor Type is used to identify the floor or level of a multi-storey building/complex. This value must correspond to a valid Floor Type Code in the Floor Type Codes, reference AS4590.	Address Option 1	LNSP
HouseNumber	The numeric reference of a house or property. Specifically the house number.	Address Option 1	LNSP
HouseNumberSuffix	The numeric reference of a house or property. Specifically the single character identifying the house number suffix.	Address Option 1	LNSP
StreetName	Records the thoroughfare name. See notes at end of table for more information on Structured Addresses.	Address Option 1	LNSP
StreetSuffix	Records street suffixes. This value must correspond to a valid Street Suffix Code, reference AS4590.	Address Option 1	LNSP
StreetType	Records the street type abbreviation. This value must correspond to a valid Street Type Code, reference AS4590.	Address Option 1	LNSP
SuburbOrPlaceOrLocality	The full name of the general locality containing the specific address.	MANDATORY	LNSP
LocationDescriptor	A general field to capture various references to address locations alongside another physical location.	Address Option 1	LNSP
PostCode	The descriptor for a postal delivery area, aligned with locality, suburb or place.	MANDATORY	LNSP
StateOrTerritory	Defined State or Territory abbreviation.	MANDATORY	LNSP
DeliveryPointIdentifier	Delivery point identifier - the numeric descriptor for a postal delivery point which is equal to a physical address. The values are in the range 10000000 – 99999999.	OPTIONAL	LNSP
AddressLine	To provide the unstructured address (line 1) where a structured address cannot be supplied.	Address Option 2	LNSP
AddressLine	To provide the unstructured address (line 2) where a structured address cannot be supplied.	Address Option 2	LNSP

AddressLine	To provide the unstructured address (line 3) where a structured address cannot be supplied.	Address Option 2	LNSP
Aggregate	This flag determines whether the energy at this <i>connection point</i> is to be treated as consumer <i>load</i> or as a <i>generating unit</i> (this may include <i>generator</i> auxiliary loads). MSATS will initially set this field to "Y" This value must correspond to a valid Aggregate value in the Aggregate Codes reference table listed in section 11.	OPTIONAL	(Defaults to 'Y', AEMO updates to 'N' as required)
FromDate	Start date of the NMI Data record. This indicates the date on which the parameters of this particular NMI data record apply from. The data applies from the beginning of this date (the start of the day, i.e. 00:00).	MANDATORY	LNSP
ToDate	End date of the record. This indicates the date on which the parameters of this particular record end. The data applies until the end of this date (the end of the day, i.e. 23:59). A default date of 9999-12-31 is recorded if EndDate is not provided.	MANDATORY (Defaults to high date unless supplied)	System generated unless supplied.
RowStatus	Indicates whether the record is active or inactive. Whenever a new record is created, it will be A (Active). A change to the data will make this record redundant and its MaintActFlg is changed to I (Inactive).	MANDATORY	System generated
MaintenanceDate	Date and time the record was updated. A default date of 9999-12-31 is used when the record is created initially. If the record is subsequently updated, its MaintUpdtDt is changed to the date and time the record was updated.	MANDATORY	System generated
CreationDate	Date and time the record was created.	MANDATORY	System generated
Feeder Class	A code to provide Participants with information to indicate the appropriate service level timeframes for performing work in relation to Service Order Requests.	OPTIONAL	LNSP
Customer Classification Code	A code that defines the consumer class as defined in the National Energy Retail Regulations, or in overriding Jurisdictional instruments.	MANDATORY	Current FRMP
Customer Classification Threshold Code	A code that defines the consumption threshold as defined in the National Energy Retail Regulations, or in overriding Jurisdictional instruments.	MANDATORY	LNSP

7.2. [Cross Reference of Browser and aseXML Data Elements](#)

[The table below list the names that are used in the MSATS browser. The table also provides the aseXML data element names and the respective formats used in each context.](#)

[In some cases, such as date fields, the format of the field is shown differently in the Browser to that used in the related aseXML transactions. Also, aseXML uses full words throughout, rather than the coded values used in the Browser.](#)

Section 16 provides [data type conventions](#) of the Browser formats shown in this section.

Table 13 CATS NMI DATA- Browser **cross reference**

Browser Field Name	aseXML Data Element Name	aseXML Path	Browser Format	aseXML Data Type
NMI	NMI	NMI	CHAR(10)	xsd:string maxLen = 10
NMI Classification Code	NMIClassificationCode	ElectricityStandingData/MasterData/NMIClassificationCode	VARCHAR2(8)	xsd:string maxLen = 8
Status Code	Status	ElectricityStandingData/MasterData/Status	CHAR(1)	xsd:string maxLen = 1
TNI Code	TransmissionNodeIdentifier	ElectricityStandingData/MasterData/TransmissionNodeIdentifier	VARCHAR2(4)	xsd:string maxLen = 4
Jurisdiction Code	JurisdictionCode	JurisdictionCode	VARCHAR2(3)	xsd:string maxLen = 3
DLF Code	DistributionLossFactorCode	ElectricityStandingData/MasterData/DistributionLossFactorCode	VARCHAR2(4)	xsd:string maxLen = 4
Embedded Network ID (Child)	ChildEmbeddedNetworkIdentifier	ElectricityStandingData/MasterData/ChildEmbeddedNetworkIdentifier	VARCHAR2(10)	xsd:string maxLen = 10
Embedded Network (Parent)	ParentEmbeddedNetworkIdentifier	ElectricityStandingData/MasterData/ParentEmbeddedNetworkIdentifier	VARCHAR2(10)	xsd:string maxLen = 10
Building / Property Name	BuildingOrPropertyName	ElectricityStandingData/MasterData/Address/AustralianAddress/StructuredAddress/BuildingOrPropertyName	VARCHAR2(30)	xsd:string maxLen = 30 x 2
Lot Number	LotNumber	ElectricityStandingData/MasterData/Address/AustralianAddress/StructuredAddress/Lot/LotNumber	VARCHAR2(6)	xsd:string pattern: [\p{L}\p{N}]\p{P}\s}{1,6}
Flat/Unit Number	FlatOrUnitNumber	ElectricityStandingData/MasterData/Address/AustralianAddress/StructuredAddress/FlatOrUnit/FlatOrUnitNumber	VARCHAR2(7)	xsd:string pattern: [\p{L}\p{N}]\p{P}\s}{1,7}
Flat/Unit Type	FlatOrUnitType	ElectricityStandingData/MasterData/Address/AustralianAddress/StructuredAddress/FlatOrUnit/FlatOrUnitType	VARCHAR2(4)	xsd:string with enumerations
Floor/Level Number	FloorOrLevelNumber	ElectricityStandingData/MasterData/Address/AustralianAddress/StructuredAddress/FloorOrLevel/FloorOrLevelNumber	VARCHAR2(5)	xsd:string [\p{L}\p{N}]\p{P}\s}{1,5}
Floor/Level Type	FloorOrLevelType	ElectricityStandingData/MasterData/Address/AustralianAddress/StructuredAddress/FloorOrLevel/FloorOrLevelType	VARCHAR2(2)	xsd:string with enumerations
House Number	HouseNumber	ElectricityStandingData/MasterData/Address/AustralianAddress/StructuredAddress/House/HouseNumber	NUMBER(5)	xsd:nonNegativeInteger maxIncl = 99999

STANDING DATA FOR MSATS

House Number Suffix	HouseNumberSuffix	ElectricityStandingData/MasterData/Address/AustralianAddress/StructuredAddress/House/HouseNumberSuffix	VARCHAR2(1)	xsd:string pattern: [\p{L}\p{N}]{1}
Street Name	StreetName	ElectricityStandingData/MasterData/Address/AustralianAddress/StructuredAddress/Street/StreetName	VARCHAR2(30)	xsd:string pattern: [\p{L}\p{N}\s-]{1,30}
Street Name Suffix	StreetSuffix	ElectricityStandingData/MasterData/Address/AustralianAddress/StructuredAddress/Street/StreetSuffix	VARCHAR2(2)	xsd:string with enumerations
Street Type	StreetType	ElectricityStandingData/MasterData/Address/AustralianAddress/StructuredAddress/Street/StreetType	VARCHAR2(4)	xsd:string with enumerations
Suburb/Locality	SuburbOrPlaceOrLocality	ElectricityStandingData/MasterData/Address/AustralianAddress/SuburbOrPlaceOrLocality	VARCHAR2(46)	xsd:string maxLen = 46
Location Descriptor	LocationDescriptor	ElectricityStandingData/MasterData/Address/AustralianAddress/StructuredAddress/LocationDescriptor	VARCHAR2(30)	xsd:string pattern: [\p{L}\p{N}\p{P}\s]{1,30}
Postcode	PostCode	ElectricityStandingData/MasterData/Address/AustralianAddress/PostCode	VARCHAR2(4)	xsd:string pattern: [\p{N}]{4}
State	StateOrTerritory	ElectricityStandingData/MasterData/Address/AustralianAddress/StateOrTerritory	VARCHAR2(3)	xsd:string with enumerations
DPID	DeliveryPointIdentifier	ElectricityStandingData/MasterData/Address/AustralianAddress/StructuredAddress/DeliveryPointIdentifier	NUMBER(8)	xsd:nonNegativeInteger minIncl = 10000000 maxIncl = 99999999
Unstructured Address	AddressLine	ElectricityStandingData/MasterData/Address/AustralianAddress/UnstructuredAddress/Address/AddressLine	VARCHAR2(80)	xsd:string maxLen = 80 x 3
Aggregate Flag	Aggregate	ElectricityStandingData/MasterData/Aggregate	CHAR(1)	xsd:string with enumeration
Start Date	FromDate	FromDate	dd-mmm-yyyy	xsd:dateTime
End Date	ToDate	ToDate	dd-mmm-yyyy	xsd:dateTime
Updated On	MaintenanceDate	MaintenanceDate	dd-mmm-yyyy (summary screen) dd-mmm-yyyy hh:mm:ss (detail screen)	xsd:dateTime
Created On	CreationDate	CreationDate	dd-mmm-yyyy (summary screen)	xsd:dateTime

			dd-mmm-yyyy hh:mm:ss (detail screen)	
Activity Status	RowStatus	RowStatus	CHAR(1)	xsd:string with enumeration
Feeder Class	Feeder Class	ElectricityStandingData/MasterData/FeederClass	VARCHAR2(15)	xsd:string maxLen = 15
Customer Classification Code	CustomerClassificationCode	ElectricityStandingData/MasterData/CustomerClassificationCode	VARCHAR2(20)	xsd:string maxLen = 20
Customer Classification Threshold Code	CustomerThresholdCode	ElectricityStandingData/MasterData/CustomerThresholdCode	VARCHAR2(20)	xsd:string maxLen = 20
NMI	NMI	NMI	CHAR(10)	xsd:string maxLen = 10
Suffix	Suffix	ElectricityDataStream/Suffix	VARCHAR2(2)	xsd:string maxLen = 2
Status Code	Status	ElectricityDataStream/Status	CHAR(1)	xsd:string maxLen = 1
Average Daily Load	AveragedDailyLoad	ElectricityDataStream/AveragedDailyLoad	NUMBER(10)	xsd:integer
Type	DataStreamType	ElectricityDataStream/DataStreamType	CHAR(1)	xsd:string with enumeration
Profile Name	ProfileName	ElectricityDataStream/ProfileName	VARCHAR2(10)	xsd:string maxLen = 10
Start Date	FromDate	FromDate	dd-mmm-yyyy	xsd:dateTime
End Date	ToDate	ToDate	dd-mmm-yyyy	xsd:dateTime
Updated On	MaintenanceDate	MaintenanceDate	dd-mmm-yyyy (summary screen) dd-mmm-yyyy hh:mm:ss (detail screen)	xsd:dateTime
Created On	CreationDate	CreationDate	dd-mmm-yyyy (summary screen) dd-mmm-yyyy hh:mm:ss (detail screen)	xsd:dateTime
Activity Status	RowStatus	RowStatus	CHAR(1)	xsd:string with enumeration

7.3. [Field value examples](#)

[This section provides examples of typical sets of data element values associated with different types of connection points.](#)

[The data shown in each example is as shown in the Browser. This reverses the sequence of the day-month-year communicated via aseXML transactions.](#)

Table 14 CATS NMI DATA- Examples

Data Element Name	Browser Field Name	Basic Example	Interval Example
NMI	NMI	122334451	1122334455
NMIClassificationCode	NMI Classification Code	SMALL	LARGE
MasterData/Status	Status Code	A	G
TransmissionNodeIdentifier	TNI Code	NRGE	SBER
JurisdictionCode	Jurisdiction Code	NSW	SA
DistributionLossFactorCode	DLF Code	NRGE	NLV2
ChildEmbeddedNetworkIdentifier	Embedded Network ID (Child)	NS01008111	SE01008111
ParentEmbeddedNetworkIdentifier	Embedded Network (Parent)	NS01008111	SE01008111
BuildingOrPropertyName	Building / Property Name	BP	SHELL
LotNumber	Lot Number	22	23
FlatOrUnitNumber	Flat/Unit Number	1	2
FlatOrUnitType	Flat/Unit Type	U	U
FloorOrLevelNumber	Flat/Unit Number	1	1
FloorOrLevelType	Floor/Level Type	FL	FL
HouseNumber	House Number	6	10
HouseNumberSuffix	House Number Suffix	A	B
StreetName	Street Name	BORIS	DORIS
StreetSuffix	Street Name Suffix	N	W
StreetType	Street Type	DR	ST
SuburbOrPlaceOrLocality	Suburb/Locality	ORANGE	LOXTON
LocationDescriptor	Location Descriptor	CNR FRED ST	SHELL SERVICE STATION
PostCode	Postcode	2211	5333
StateOrTerritory	State	NSW	SA
DeliveryPointIdentifier	DPID	01234567	12345678
AddressLine	Unstructured Address 1	Text	Text
AddressLine	Unstructured Address 2	Text	Text
AddressLine	Unstructured Address 3	Text	Text
Aggregate	Aggregate Flag	Y	Y
FromDate	Start Date	01-06-2004	01-06-2001
ToDate	End Date	31-12-9999	01-01-2003
MaintenanceDate	Updated On	31-12-9999 (Summary screen) 31-12-9999 00:00:00 (Detail screen)	05-01-2003 (Summary screen) 05-01-2003 00:01:00 (Detail screen)

STANDING DATA FOR MSATS

CreationDate	Created On	04-01-2004 (Summary screen) 04-01-2004 09:31:00 (Detail screen)	01-06-2001 (Summary screen) 01-06-2001 00:01:00 (Detail screen)
RowStatus	Activity Status	A	A
FeederClass	Feeder Class	ERGUD	ERGUD
Customer ClassificationCode	Customer Classification	RESIDENTIAL	BUSINESS
CustomerThresholdCode	Customer Threshold	LOW	HIGH

8. CATS_NMI_DATA_STREAM

8.1. Field definitions

The CATS_NMI_Data_Stream table is a NMI master table containing data that is stored at the *NMI* Datastream level. Information stored at this level includes suffixes, profile name, average daily load etc. It is updated whenever a Change Request containing inbound Datastream data is completed.

Note: Data is only required for this table if the *NMI* is active in the NEM or is used for profile peel-off in accordance with the Metrology Procedure.

Note: References to 'LNSP' include the ENM for *child connection points*.

Table 15 CATS_NMI_DATA_STREAM- Field definitions

Data Element Name	Description	Standing Data Required	Party to Provide
NMI	<i>NMI</i>	MANDATORY	MDP LNSP
ElectricityDataStream/Suffix	The Metering Datastream identifier (for MDM). Identifies the ElectricityDataStream Suffix as delivered to AEMO for NEM Settlement calculations, profile peeloff, UFE analysis and Vic TUOS sites. The value must be a valid as per Datastream suffix details specified in the MSATS NMI Procedures: National Metering Identifier procedure . The value must match the MDMContributorySuffix value provided in an MDFF File.	MANDATORY	MDP
ElectricityDataStream/Status	Code used to indicate the status of the suffix. This value must correspond to a valid Datastream Status Code as specified in the MSATS Procedures: CATS procedures .	MANDATORY	MDP
AveragedDailyLoad	The <i>energy</i> delivered through a <i>connection point</i> or <i>metering point</i> over an extended period normalised to a "per day" basis (kWh).	MANDATORY	MDP
DataStreamType	Indicates the primary function of the ElectricityDataStream Suffix. i.e. inclusion within NEM Settlement calculations, UFE analysis, profile peeloff or Vic TUOS. This value must correspond to a valid DataStreamType in the Data Stream Type Codes reference table listed in section 11.	MANDATORY	MDP
ProfileName	The Profile Name is a code that identifies the name of the algorithmically derived shape that is used to allocate a Datastream's consumption to TIs. This value must correspond to a valid code in the PROFILE table. For all Interval Meters and sample <i>meters</i> , this must be set to 'NOPROF'. For Accumulation Meters, refer to the MDM Profile for valid profile names. In Victoria and the ACT, ProfileName must be NSLP.	MANDATORY	MDP

	In NSW, QLD and SA, ProfileName must be NSLP or the relevant controlled load profile. This value must correspond to a valid ProfileName value in the Profile Codes reference table listed in section 11.		
FromDate	Start date of the <i>NMI</i> data record. This indicates the date on which the parameters of this particular <i>NMI</i> data record apply from. The data applies from the beginning of this date (the start of the day, i.e. 00:00).	MANDATORY	Party sending transaction
ToDate	End date of the record. This indicates the date on which the parameters of this particular record end. The data applies until the end of this date (the end of the day, i.e. 23:59). A default date of 9999-12-31 is recorded if EndDate is not provided.	MANDATORY (Defaults to high date unless supplied)	System generated unless supplied.
RowStatus	Indicates whether the record is active or inactive. Whenever a new record is created, it will be A (Active). A change to the data will make this record redundant and its MaintActFlg is changed to I (Inactive).	MANDATORY	System generated
MaintenanceDate	Date and time the record was updated. A default date of 9999-12-31 is used when the record is created initially. If the record is subsequently updated, its MaintUpdtDt is changed to the date and time the record was updated.	MANDATORY	System generated
CreationDate	Date and time the record was created.	MANDATORY	System generated

8.2. Cross Reference of Browser and aseXML Data Elements

[The table below list the names that are used in the MSATS browser. The table also provides the aseXML data element names and the respective formats used in each context.](#)

[In some cases, such as date fields, the format of the field is shown differently in the Browser to that used in the related aseXML transactions. Also, aseXML uses full words throughout, rather than the coded values used in the Browser.](#)

[Section 16 provides data type conventions of the Browser formats shown in this section.](#)

Table 16 CATS NMI DATA STREAM- Browser cross reference

<u>rowser Field name</u>	<u>aseXML Data Element Name</u>	<u>aseXML Path</u>	<u>BrowserFormat</u>	<u>aseXMLData Type</u>
<u>NMI</u>	<u>NMI</u>	<u>NMI</u>	<u>CHAR(10)</u>	<u>xsd:string maxLen=10</u>
<u>Suffix</u>	<u>Suffix</u>	<u>ElectricityDatastream/Suffix</u>	<u>VARCHAR2(2)</u>	<u>xsd:string maxLen=2</u>
<u>Status Code</u>	<u>Status</u>	<u>ElectricityDatastream/Status</u>	<u>CHAR(1)</u>	<u>xsd:string maxLen=10</u>
<u>Average Daily Load</u>	<u>AverageDailyLoad</u>	<u>ElectricityDatastream/AverageDailyLoad</u>	<u>NUMBER(10)</u>	<u>xsd:integer</u>
<u>Type</u>	<u>DataStreamType</u>	<u>ElectricityDatastream/DatastreamType</u>	<u>CHAR(1)</u>	<u>xsd:string with enumeration</u>
<u>Profile Name</u>	<u>ProfileName</u>	<u>ElectricityDatastream/ProfileName</u>	<u>VARCHAR2(10)</u>	<u>xsd:string maxLen=10</u>
<u>Start Date</u>	<u>FromDate</u>	<u>FromDate</u>	<u>dd-mmm-yyyy</u>	<u>xsd:dateTime</u>
<u>End Date</u>	<u>ToDate</u>	<u>ToDate</u>	<u>dd-mmm-yyyy</u>	<u>xsd:dateTime</u>
<u>Updated On</u>	<u>MaintenanceDate</u>	<u>MaintenanceDate</u>	<u>dd-mmm-yyyy (Summary Screen) dd-mmm-yyyy hh:mm:ss (Detail Screen)</u>	<u>xsd:dateTime</u>
<u>Created On</u>	<u>CreationDate</u>	<u>CreationDate</u>	<u>dd-mmm-yyyy (Summary Screen) dd-mmm-yyyy hh:mm:ss (Detail Screen)</u>	<u>xsd:dateTime</u>
<u>Activity Status</u>	<u>RowStatus</u>	<u>RowStatus</u>	<u>CHAR(1)</u>	<u>xsd:string with enumeration</u>

8.3. Field value examples

This section provides examples of typical sets of data element values associated with different types of *connection points*.

The data shown in each example is as shown in the Browser. This reverses the sequence of the day-month-year communicated via aseXML transactions.

Table 17 CATS NMI DATA STREAM- Example

<u>Data Element Name</u>	<u>Browser Field Name</u>	<u>Basic Example</u>	<u>Interval Example</u>
<u>NMI</u>	<u>NMI</u>	<u>1100445566</u>	<u>2211335544</u>
<u>ElectricityDataStream/Suffix</u>	<u>Suffix</u>	<u>31</u>	<u>E1</u>
<u>ElectricityDataStream/Status</u>	<u>Status Code</u>	<u>A</u>	<u>A</u>
<u>ElectricityDataStream/ AveragedDailyLoad</u>	<u>Average Daily Load</u>	<u>5</u>	<u>800</u>
<u>ElectricityDataStream/ DataStreamType</u>	<u>Type</u>	<u>C</u>	<u>I</u>

STANDING DATA FOR MSATS

ElectricityDataStream/ ProfileName	Profile Name	NSLP	NOPROF
FromDate	Start Date	31-12-2001	01-06-2005
ToDate	End Date	31-12-9999	31-12-9999
MaintenanceDate	Updated On	02-01-2004 (Summary Screen) 02-01-2004 13:27:58 (Detail Screen)	31-12-9999 (Summary Screen) 31-12-9999 00:00:00 (Detail Screen)
CreationDate	Created On	19-01-2002 (Summary screen) 19-01-2002 17:15:23 (Detail screen)	05-06-2005 (Summary screen) 05-06-2005 15:12:20 (Detail screen)
RowStatus	Activity Status	I	A

9. CATS_REGISTER_IDENTIFIER

9.1. Field definitions

The CATS_Register_Identifier table contains data that is stored at the register identifier level. Information stored at this level includes the Network Tariff Code. It is updated whenever a Change Request containing inbound register identifier data is completed.

Note: References to 'LNSP' include the ENM for *child connection points*.

Table 7 **Table 18** **CATS_REGISTER_IDENTIFIER- Field definitions**

Data Element Name	Description	Standing Data Required	Party to Provide
NMI	<i>NMI</i> . This number is unique for each <i>connection point</i> within the NEM.	MANDATORY	LNSP
SerialNumber	The Meter Serial ID uniquely identifies a <i>meter</i> for a given <i>NMI</i> . Maximum 12 Characters (alpha numeric). Unique for <i>NMI</i> . Use dummy for UMCP (Type 7), logical (<i>meters</i>) and <i>non-contestable unmetered loads</i> . Except for UMCP, logical and <i>non-contestable unmetered loads</i> , MeterSerial should be displayed on physical device also known as property number). SerialNumber to be property number if exists, otherwise the <i>meter</i> manufacturers' serial number, otherwise dummy number.	MANDATORY	MPB
RegisterID	The RegisterID is an identifier used to identify records stored within the CATS_REGISTER_TABLE. A record must be created in the CATS_REGISTER_TABLE for each physical register within a <i>meter</i> . <ul style="list-style-type: none"> For Accumulation Meters, the RegisterID may reflect any unique identifier. E.g. '1', '01', '11', etc.. For Interval Meters, the RegisterID must match the content of the 'Suffix' within the CATS_REGISTER_IDENTIFIER table. E.g. 'E1', 'B1', 'Q1', 'K1', etc. 	MANDATORY	MPB
NetworkTariffCode	The Network Tariff Code is a free text field required. The text must match the Network Tariff Codes supplied and published by the LNSP. Must be a valid code from the CATS_Network_Tariff_Codes table.	MANDATORY	MPB
NetworkAdditional Information	Free text field.	OPTIONAL	MPB
UnitOfMeasure	Code to identify the unit of measure for data held in this register.	MANDATORY	MPB
TimeOfDay	Code to identify the time validity of register contents. As published by each LNSP.	MANDATORY	MPB

Multiplier	Multiplier required to take a register value and turn it into a value representing billable energy.	MANDATORY	MPB
DialFormat	Describes the register display format. First number is the number of digits to the left of the decimal place, and the second number is the number of digits to the right of the decimal place.	MANDATORY	MPB
Suffix	The Suffix field in the CATS_REGISTER_IDENTIFIER table is used to identify a physical data source that is obtained from the <i>meter</i> . The Suffix in the CATS_REGISTER_IDENTIFIER table must be a valid as per Datastream suffix details specified in the MSATSNMI Procedures: National Metering Identifier procedure. The value must match the NMISuffix value provided in an MDFF File. <ul style="list-style-type: none"> For Basic Meters, the Suffix in the CATS_REGISTER_IDENTIFIER table need not match the RegisterID in the CATS_REGISTER_IDENTIFIER table. For Interval Meters, the Suffix in the CATS_REGISTER_IDENTIFIER table must match the RegisterID in the CATS_REGISTER_IDENTIFIER table. E.g. 'E1', 'B1'. 	MANDATORY	MPB
ControlledLoad	Indicates whether the <i>energy</i> recorded by this register is created under a Controlled Load regime ControlledLoad field will have "No" if register does not relate to a Controlled Load. If the register relates to a Controlled Load, it should contain a description of the Controlled Load regime.	MANDATORY	MPB
RegisterDetail/ Status	Lookup code to indicate if register is active. Must ensure that RegisterDetail/Status is not Current (C) when ElectricityMeter/Status is Removed (R). This value must correspond to a valid Register Identifier Status as specified in the MSATS Procedures: CATS Procedures.	MANDATORY	MPB
ConsumptionType	Actual/Subtractive Indicator. Actual (A) implies volume of energy actually metered between two dates. Cumulative (C) indicates a Meter Reading for a specific date. A second Meter Reading is required to determine the consumption between those two Meter Reading dates. For an Interval Meter, ActCumInd = A. This value must correspond to a valid ConsumptionType from the Consumption Type Codes reference table listed in section 11.	MANDATORY	MPB

Demand1	This field contains the peak demand value for summer for network Tariff purposes. Units in kW or kVA.	OPTIONAL	MPB (Refers to Network Tariff Code)
Demand2	This field contains an additional demand value (not Summer period). Units in kW or kVA.	OPTIONAL	MPB (Refers to Network Tariff Code)
FromDate	Start date of the <i>NMI</i> data record. This indicates the date on which the parameters of this particular <i>NMI</i> data record apply from. The data applies from the beginning of this date (the start of the day, i.e. 00:00).	MANDATORY	Participant sending transaction
ToDate	End date of the record. This indicates the date on which the parameters of this particular record end. The data applies until the end of this date (the end of the day, i.e. 23:59). A default date of 9999-12-31 is recorded if EndDate is not provided.	MANDATORY (Defaults to high date unless supplied)	System generated unless supplied.
RowStatus	Indicates whether the record is active or inactive. Whenever a new record is created, it will be A (Active). A change to the data will make this record redundant and its MaintActFlg is changed to I (Inactive).	MANDATORY	System generated
MaintenanceDate	Date and time the record was updated. A default date of 9999-12-31 is used when the record is created initially. If the record is subsequently updated, its MaintUpdtDt is changed to the date and time the record was updated.	MANDATORY	System generated
CreationDate	Date and time the record was created.	MANDATORY	System generated

9.2. Cross Reference of Browser and aseXML Data Elements

[The table below list the names that are used in the MSATS browser. The table also provides the aseXML data element names and the respective formats used in each context.](#)

[In some cases, such as date fields, the format of the field is shown differently in the Browser to that used in the related aseXML transactions. Also, aseXML uses full words throughout, rather than the coded values used in the Browser.](#)

[Section 16 provides **d**data type conventions of the Browser formats shown in this section.](#)

Table 19 CATS REGISTER IDENTIFIER- Browser cross reference

Browser Field Name	aseXML Data Element Name	aseXML Path	Browser Format	aseXML Data Type
NMI	NMI	NMI	CHAR(10)	xsd:string maxLen = 10
Meter Serial ID Meter ID	SerialNumber	SerialNumber	VARCHAR2(12)	xsd:string maxLen = 12

STANDING DATA FOR MSATS

(Different on two screens)				
Register ID	RegisterID	ElectricityMeterRegisterDetail/RegisterID	VARCHAR2(10)	xsd:string maxLen = 10
Network Tariff Code	NetworkTariffCode	ElectricityMeterRegisterDetail/NetworkTariffCode	VARCHAR2(10)	xsd:string maxLen = 10
Network Tariff Additional Information	NetworkAdditionalInformation	ElectricityMeterRegisterDetail/NetworkAdditionalInformation	VARCHAR2(4000)	xsd:string
Unit of Measure	UnitOfMeasure	ElectricityMeterRegisterDetail/UnitOfMeasure	VARCHAR2(5)	xsd:string maxLen = 5
Time of Day	TimeOfDay	ElectricityMeterRegisterDetail/TimeOfDay	VARCHAR2(10)	xsd:string maxLen = 10
Multiplier	Multiplier	ElectricityMeterRegisterDetail/Multiplier	Number(13,5)	xsd:decimal
Dial Format	DialFormat	ElectricityMeterRegisterDetail/DialFormat	Number(4,2)	xsd:decimal minIncl = 0 maxIncl = 99.99 totdig = 4 fracdig = 2
Suffix	Suffix	ElectricityMeterRegisterDetail/Suffix	VARCHAR2(2)	xsd:string maxLen = 2
Controlled Load	ControlledLoad	ElectricityMeterRegisterDetail/ControlledLoad	VARCHAR2(100)	xsd:string maxLen = 100
Status Code	Status	ElectricityMeterRegisterDetail/Status	CHAR(1)	xsd:string with enumeration
Actual/Cumulative Indicator	ConsumptionType	ElectricityMeterRegisterDetail/ConsumptionType	CHAR(1)	xsd:string with enumeration
Demand 1	Demand1	ElectricityMeterRegisterDetail/Demand1	Number(8)	xsd:integer totdig = 8
Demand 2	Demand2	ElectricityMeterRegisterDetail/Demand2	Number(8)	xsd:integer totdig = 8
Start Date	FromDate	FromDate	dd-mmm-yyyy	xsd:dateTime
End Date	ToDate	ToDate	dd-mmm-yyyy	xsd:dateTime
Updated On	MaintenanceDate	MaintenanceDate	dd-mmm-yyyy (summary screen) dd-mmm-yyyy hh:mm:ss (detail screen)	xsd:dateTime
Created On	CreationDate	CreationDate	dd-mmm-yyyy (summary screen) dd-mmm-yyyy hh:mm:ss (detail screen)	xsd:dateTime
Activity Status	RowStatus	RowStatus	CHAR(1)	xsd:string with enumeration

9.3. Field value examples

This section provides examples of typical sets of data element values associated with different types of *connection points*.

The data shown in each example is as shown in the Browser. This reverses the sequence of the day-month-year communicated via aseXML transactions.

Table 20 CATS REGISTER IDENTIFIER- Examples

Data Element Name	Browser Field Name	Basic Example	Interval Example
NMI	NMI	1100445566	2211335544
SerialNumber	Meter Serial ID Meter ID (Different on two screens)	000012345	112258
RegisterID	Register ID	1	E1
NetworkTariffCode	Network Tariff Code	BLNB2CO	MB2RI
NetworkAdditionalInformation	Network Tariff Additional Information	General Supply Non TOU Eligible	LV TOU Demand Eligible
UnitOfMeasure	Unit of Measure	KWH	KWH
TimeOfDay	Time of Day	ALLDAY	INTERVAL
Multiplier	Multiplier	1.00000	120.00000
DialFormat	Dial Format	5.00	5.10
Suffix	Suffix	11	E1
ControlledLoad	Controlled Load	_HWLoad	No
Status	Status Code	C	C
ConsumptionType	Actual/Cumulative Indicator	C	A
Demand1	Demand 1	0	0
Demand2	Demand 2	0	0
FromDate	Start Date	01-08-2004	01-06-2005
ToDate	End Date	31-12-9999	31-12-9999
MaintenanceDate	Updated On	31-12-9999 (Summary Screen) 31-12-9999 00:00:00 (Detailed Screen)	31-12-9999 (Summary Screen) 31-12-9999 00:00:00 (Detailed Screen)
CreationDate	Created On	01-11-2005 (Summary screen) 01-11-2005 22:30:30 (Detail screen)	05-06-2005 (Summary screen) 05-06-2005 09:09:09 (Detailed screen)
RowStatus	Activity Status	A	A

10. CATS_NMI_PARTICIPANT_RELATIONS

10.1. Field definitions

The CATS_NMI_Participant_Relations table is a NMI master table containing data that stores the Roles that Participants play for each *NMI*. It is updated whenever a Change Request containing inbound Roles is completed. Each Role record, which contains a single Role code and a single Participant ID, has a start date and an end date, as well as information about when it was created and when it became inactive if it is no longer an active record.

Note: References to 'LNSP' include the ENM for *child connection points*.

Table 21 CATS_NMI_PARTICIPANT_RELATIONS- Field definitions

Data Element Name	Description	Standing Data Required	Party to Provide
Party	The Participant ID whose relationship (Role) with the <i>NMI</i> is defined in this table.	MANDATORY	LNSP
NMI	<i>NMI</i> . This number is unique for each <i>connection point</i> .	MANDATORY	LNSP
Role	This defines the relationship (Role) of the Participant with the <i>NMI</i> in this table.	MANDATORY	LNSP
FromDate	Start date of the record. This indicates the date on which the parameters of this particular record apply from. The data applies from the beginning of this date (the start of the day, i.e. 00:00).	MANDATORY	Party sending transaction
ToDate	End date of the record. This indicates the date on which the parameters of this particular record end. The data applies until the end of this date (the end of the day, i.e. 23:59). A default date of 9999-12-31 is recorded if EndDate is not provided.	MANDATORY (Defaults to high date unless supplied)	System generated unless supplied.
RowStatus	Indicates whether the record is active or inactive. Whenever a new record is created, it will be A (Active). A change to the data will make this record redundant and its MaintActFlg is changed to I (Inactive).	MANDATORY	System generated
MaintenanceDate	Date and time the record was updated. A default date of 9999-12-31 is used when the record is created initially. If the record is subsequently updated, its MaintUpdtDt is changed to the date and time the record was updated.	MANDATORY	System generated
CreationDate	Date and time the record was created.	MANDATORY	System generated

10.2. Cross Reference of Browser and aseXML Data Elements

[The tables below list the names that are used in the MSATS browser for each of the MSATS tables detailed in sections 4 to 10. The table also provides the aseXML data element names and the respective formats used in each context.](#)

In some cases, such as date fields, the format of the field is shown differently in the Browser to that used in the related aseXML transactions. Also, aseXML uses full words throughout, rather than the coded values used in the Browser.

Section 16 provides [data type convention definitions](#) of the Browser formats shown in this section.

Table 22 CATS NMI PARTICIPANT RELATIONS- Browser

<u>Browser Field Name</u>	<u>aseXML Data Element Name</u>	<u>aseXML Path</u>	<u>Browser Format</u>	<u>aseXML Data Type</u>
<u>Participant ID</u>	<u>Party</u>	<u>Party</u>	<u>VARCHAR2(10)</u>	<u>xsd:string</u>
<u>NMI</u>	<u>NMI</u>	<u>NMI</u>	<u>CHAR(10)</u>	<u>xsd:string maxLen = 10</u>
<u>Role</u>	<u>Role</u>	<u>Role</u>	<u>VARCHAR2(4)</u>	<u>xsd:string maxLen = 4</u>
<u>Start Date</u>	<u>FromDate</u>	<u>FromDate</u>	<u>dd-mmm-yyyy</u>	<u>xsd:dateTime</u>
<u>End Date</u>	<u>ToDate</u>	<u>ToDate</u>	<u>dd-mmm-yyyy</u>	<u>xsd:dateTime</u>
<u>Updated On</u>	<u>MaintenanceDate</u>	<u>MaintenanceDate</u>	<u>dd-mmm-yyyy (summary screen) dd-mmm-yyyy hh:mm:ss (detail screen)</u>	<u>xsd:dateTime</u>
<u>Created On</u>	<u>CreationDate</u>	<u>CreationDate</u>	<u>dd-mmm-yyyy (summary screen) dd-mmm-yyyy hh:mm:ss (detail screen)</u>	<u>xsd:dateTime</u>
<u>Activity Status</u>	<u>RowStatus</u>	<u>RowStatus</u>	<u>CHAR(1)</u>	<u>xsd:string with enumeration</u>

11. REFERENCE TABLES

Table 9 **Table 23** –Valid Aggregate Codes

Aggregate	Description
Y	Customer load.
N	Generator NMI.

Table 10 **Table 24** –Valid Consumption Type Codes

Consumptiontype	Description
A	Actual Consumption.
C	Cumulative Consumption.

Table 11 **Table 25** –Valid Datastream Type Codes

Datastreamtype	Description	Datastream suffix (as per MSATS Procedures: National Metering IdentifierNMI Procedure)
I	Interval Datastream included in NEM Settlement process.	A, D, B, E, N
C	Consumption Datastream is included in NEM Settlement Process.	First character is 1 to 9
P	Profile Datastream included in NEM Profile calculations (Sample meters only).	E, N
N	Interval Datastream is not to be included in the NEM Settlement process or NEM Profile calculations.	J, P, S, K, Q, T, G, H, M, V, C, F, L, R, U, Y, W, Z, X A,D,B,E when not used for NEM Settlements (e.g. Vic TUOS)

Table 12 **Table 26** –Valid Profile Codes

ProfileName	Description
NSLP	Net System Load Profile. The profile is calculated by MSATS. NSLP represents the system load after all actual <i>interval metering data</i> or specified previously-calculated profiled <i>metering data</i> that is not dependent on the NSLP has been subtracted from a known total system load and represents system-wide usage by consumption-type <i>metering installations</i> .
CLOADNSWCE	Controlled Load profile: Country Energy. (Now Essential Energy) Profile Names beginning with CLOAD are Controlled Load profiles. Controlled Load profiles are applied to Controlled Load Datastreams in NSW. There is one Controlled Load profile for each LNSP area. The names all begin with CLOADNSW to indicate that they are NSW Profile Names followed by two characters to indicate the LNSP area to which it belongs (e.g. EA = EnergyAustralia).
CLOADNSWEA	Controlled Load profile: EnergyAustralia (Now Ausgrid).

ProfileName	Description
CLOADNSWIE	Controlled Load profile: IntegralEnergy (Now Endeavour Energy)
QLDEGXCL31	Controlled Load profile Energex tariff 31
QLDEGXCL33	Controlled Load profile Energex tariff 33
SACLOAD	South Australian Controlled Load.
NOPROF	Used for interval Datastream types (to indicate that such Datastreams do not need to be profiled to obtain 'readings' for each <i>settlements</i> interval because the data is supplied in 30-minute intervals).

Note: Refer to the MSATS CATS Procedure section 4 for details on the valid codes for the following:

- Jurisdiction Codes
- Metering Installation Type Codes
- NMI Classification Codes
- NMI Status Codes
- [Datastream Status Codes](#)

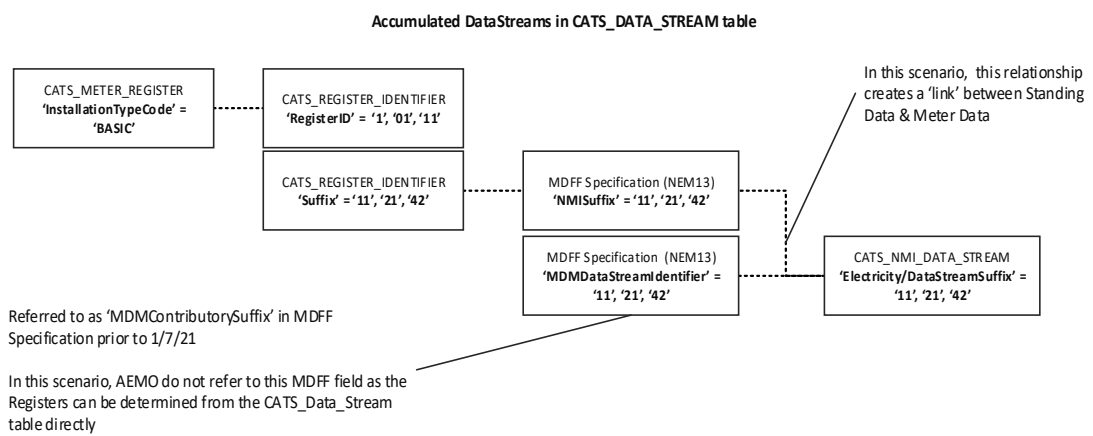
12. USE OF NMI SUFFIX TO POPULATE CATS_REGISTER_IDENTIFIER

For any particular *connection point* there may be multiple *energy* measurement elements and data recorders with multiple channels. Accurate identification of Datastreams is essential.

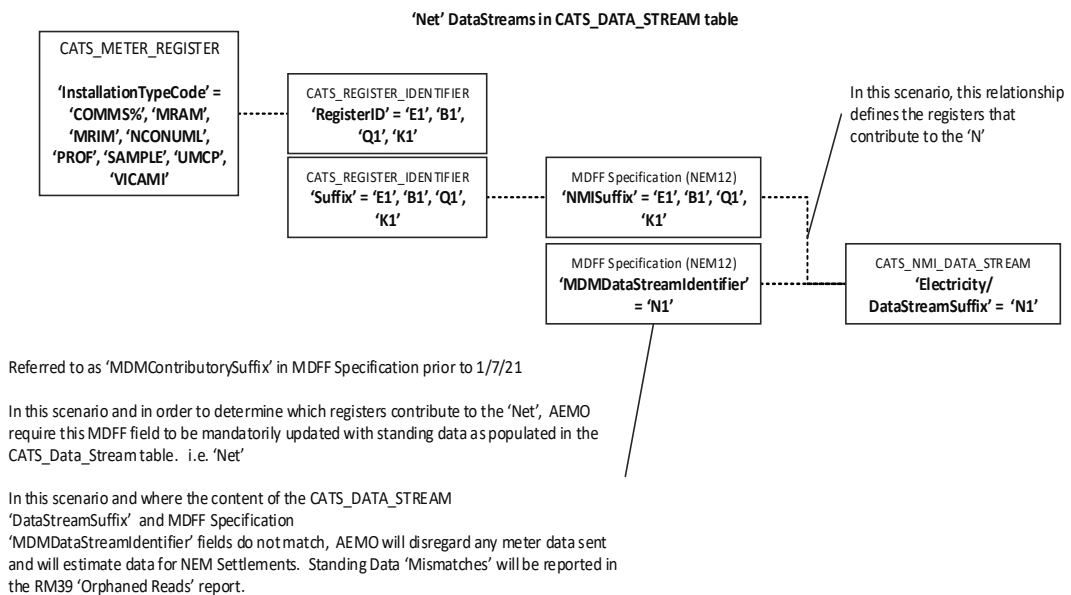
The ~~MSATS Procedures: National Metering Identifier~~ NMI Procedure includes the requirements for structure of both the Suffix populated in the CATS_REGISTER_IDENTIFIER table and the ElectricityDataStream Suffix populated in the CATS_DATA_STREAM table.

The illustrations below provide context to the relationships between 'Suffix' across the MDFF Specification and ~~MSATS Procedures: CATS Procedures~~ (specifically the CATS_REGISTER_IDENTIFIER table and CATS_DATA_STREAM tables).

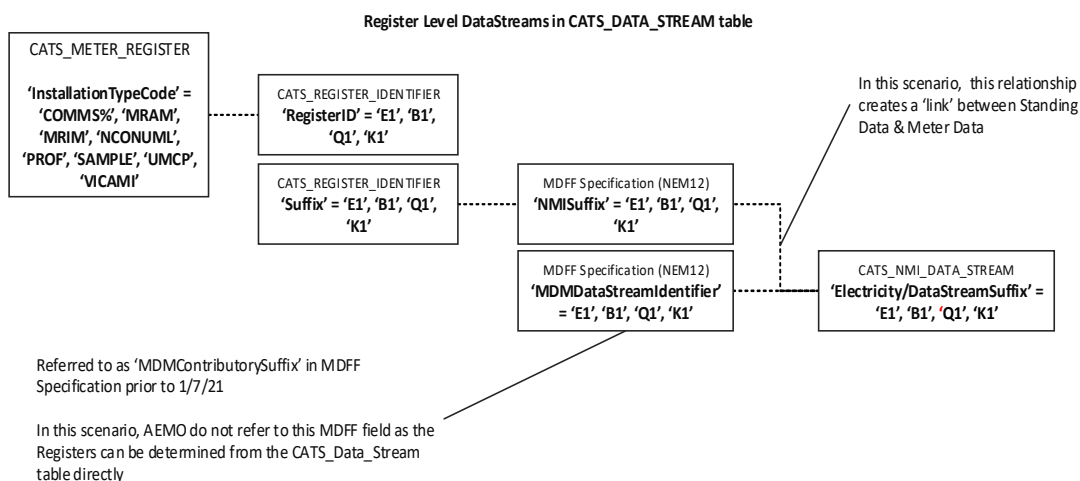
Example of an Accumulated Meter 'Suffix'



Example of an Interval Meter 'Suffix' – Net DataStreams



Example of an Interval Meter "Suffix" – Register Level DataStreams



Note:

- A record must be created in the CATS_REGISTER_TABLE for each register required for settlements, profiling and UFE calculations, physical register within a meter
- An ElectricityDataStream Suffix must be created for all individual DataStreams required for NEM Settlement calculations, profile peeloff, UFE analysis and Vic TUOS sites.

The NMI Procedure includes the requirements for the use of a suffix to the NMI that identifies these Datastreams. The DataStreamSuffix detailed in the NMI Procedure provides identification at the measurement element level for all Datastreams from the connection point identified by the NMI. The DataStreamSuffix is commonly known as the NMISuffix. The NMISuffix is labelled as 'Suffix' in the Browser and is the ElectricityDataStream/Suffix data element in aseXML.

The NMISuffix was first used in the NMI Procedure to describe, in conjunction with the NMI, the data transferred from the MDP to AEMO and Participants for settlements. The NMISuffix was further extended to describe Datastreams in MSATS, and numeric suffixes were developed to describe the data from type 6 metering installations.

In MSATS, the NMISuffix is used in the CATS NMI DATA STREAM table to describe the data as delivered to AEMO. For settlements purposes this data must be 'NET' [Export from network, less import to network] and will be 'Nx' for an interval Datastream, or numeric for an Accumulation Meter.

In MSATS release 2.0 a new table, CATS REGISTER IDENTIFIER, was introduced to link identifiers for the source meter register(s) to the Datastream suffix in the CATS NMI DATA STREAM table. The purpose of the table is to enable the alignment of the data held in MSATS and the data being transferred between Participants in the B2B process.

This link is achieved through the RegisterID (which describes the data source at the metering installation) and ElectricityDataStream/Suffix (which describes the NMISuffix to which the RegisterID contributes) data elements. This is a many-to-one relationship, i.e. there may be multiple RegisterID values for each ElectricityDataStream/Suffix value in the CATS REGISTER IDENTIFIER table.

- The RegisterID identifies the measurement element and type of measurement for an Interval Meter, and identifies the location of a stored energy value in an Accumulation Meter.
- The ElectricityDataStream/Suffix value in the CATS NMI DATA STREAM table identifies the Datastream registered in MSATS. For settlements purposes, Interval Meter Datastreams will be the NET suffix (format Nx) and for Accumulation Meter Datastreams the suffix value is numeric.

MSATS requires data to be delivered against this suffix (if the Datastream is ACTIVE). MSATS does not validate the values entered in this field.

- The ElectricityDataStream/Suffix value in the CATS REGISTER IDENTIFIER table identifies the individual Datastream(s) contributing to the ElectricityDataStream/Suffix value in the CATS NMI DATA STREAM table. For interval Datastreams, the suffix(es) will indicate the individual Datastream(s) contributing to the Nx Suffix value in the CATS NMI DATA STREAM table where the DataStreamType is P or I (Refer section 14 for examples). For accumulation Datastreams the value will be numeric and will be identical to the related Suffix value in the CATS NMI DATA STREAM table (refer section 13 for examples).
- The ElectricityDataStream/Suffix values used in the CATS REGISTER IDENTIFIER table are used to identify *metering data* contained in MDFF Files (in the NMISuffix field).
- The linkage between the RegisterID and ElectricityDataStream/Suffix exists because the ElectricityDataStream/Suffix data element is populated in the CATS REGISTER IDENTIFIER table.
- The RegisterID data element has no standard format; therefore, the MPB must determine the appropriate population of this field, e.g. it may be used to indicate the programming code of the register.

There is an inconsistent understanding across industry of the meaning of the terms 'register' and 'datastream'. Conventionally, to field metering personnel, a 'register' contains a single value, while a 'datastream' represents an array of time separated register values in chronological order.

For Accumulation Meters, the RegisterID refers to the non-volatile storage of the cumulative energy register(s). The RegisterID will have identification with the displays of the *meters*, or identification of internal data stores.

For Accumulation Meters, the ElectricityDataStream/Suffix data element in the CATS REGISTER IDENTIFIER table may have a many-to-one relationship with the ElectricityDataStream/Suffix data element in the CATS NMI DATA STREAM table. That is, the same Suffix may occur several times in the CATS REGISTER IDENTIFIER table and occur once only in the CATS NMI DATA STREAM table.

For Interval Meters, the definition of the RegisterID field is less obvious. To make this field useful, the RegisterID should be associated with the ElectricityDataStream/Suffix. As Interval Meters may have multiple measurement elements and there may be multiple meters for a NMI, the MDP must manage Datastreams against a NMI to avoid duplication of ElectricityDataStream/Suffixes and provide correct mapping of RegisterIDs.

13. ASSIGNMENT OF DATA – ACCUMULATION METERS

This section details examples of the assignment of data for various basic *metering installations*. For Accumulation Meters, the Suffix values in CATS_REGISTER_IDENTIFIER and CATS_NMI_DATA_STREAM tables are always numeric.

13.1. Single Meter, no controlled load

An Accumulation Meter with a single register measuring a Non-Controlled Load will have a single Datastream suffix 11 for the *NMI*.

Table 13 **Table 27** Example CATS_NMI_DATA_STREAM

Data Element:	NMI	Suffix	ElectricityDataStream/Status	DataStreamType
Value	0123456789	11	A	C

The CATS_REGISTER_IDENTIFIER table indicates that the *meter* has only one register. The Suffix in the CATS_REGISTER_IDENTIFIER '11' denotes that data from RegisterID 01 contributes to the Datastream identified by Suffix 11 in CATS_NMI_DATA_STREAM table.

Table 14 **Table 28** Example CATS_REGISTER_IDENTIFIER

Data Element:	Serial Number	RegisterID	UnitOfMeasure	TimeOfDay	Suffix	Controlled Load
Value	ABCD1111	01	KWH	ALLDAY	11	No

The ElectricityDataStream Suffix in CATS_NMI_DATA_STREAM table will be recorded as '11' by the MDP and the Suffix in CATS_REGISTER_IDENTIFIER table must then be '11'.

13.2. Two Single Element Meters, no controlled load

The *NMI* has two Accumulation Meters, each *meter* with single register. The data from the two *meters* will be submitted to MSATS as two Datastreams.

Table 15 **Table 29** Example CATS_NMI_DATA_STREAM

Data Element:	NMI	Suffix	ElectricityDataStream/Status	DataStreamType
Values	0123456789	11	A	C
	0123456789	12	A	C

Table 16 **Table 30** Example CATS_REGISTER_IDENTIFIER

Data Element:	Serial Number	RegisterID	UnitOfMeasure	TimeOfDay	Suffix	Controlled Load
Values	ABCD1111	01	KWH	ALLDAY	11	No
	XYZA1112	01	KWH	ALLDAY	12	No

13.3. Two Single Element Meters, one with controlled load

A *NMI* has two Accumulation Meters, each *meter* has a single register, and one *meter* is measuring a Controlled Load. The data from the two *meters* is submitted to MSATS as two ElectricityDataStream Suffixes.

Table 17 **Table 31** Example CATS_NMI_DATA_STREAM

Data Element:	NMI	Suffix	ElectricityDataStream/Status	DataStreamType
Values	0123456789	11	A	C
	0123456789	42	A	C

Table 18 **Table 32** Example CATS_REGISTER_IDENTIFIER

Data Element:	Serial Number	RegisterID	UnitOfMeasure	TimeOfDay	Suffix	Controlled Load
Values	ABCD1111	01	KWH	TOTAL	11	No
	XYZA1112	01	KWH	CL1	42	HWLoad

13.4. One Meter with Two Registers, one measuring a controlled load

NMI has one Accumulation Meter with two registers. The second register is measuring a Controlled Load.

Table 19 **Table 33** Example CATS_NMI_DATA_STREAM

Data Element:	NMI	Suffix	ElectricityDataStream/Status	DataStreamType
Values	0123456789	11	A	C
	0123456789	41	A	C

Table 20 **Table 34** Example CATS_REGISTER_IDENTIFIER

Data Element:	Serial Number	RegisterID	UnitOfMeasure	TimeOfDay	Suffix	Controlled Load
Value	ABCD1111	01	KWH	PEAK	11	No
	ABCD1111	02	KWH	CL1	41	HWLoad

13.5. Single Multi-function Meter

Accumulation Meter has 4 registers, one register being a Controlled Load.

Table 21 **Table 35** Example CATS_NMI_DATA_STREAM

Data Element:	NMI	Suffix	ElectricityDataStream/Status	DataStreamType
Values	0123456789	11	A	C
	0123456789	21	I	C
	0123456789	31	A	C
	0123456789	41	A	C

Each register is separately identified in CATS_NMI_Data_Stream. However, register 2 on meter 1 is inactive in MSATS.

Table 22Table 36 Example CATS_REGISTER_IDENTIFIER

Data Element:	Serial Number	RegisterID	UnitOfMeasure	TimeOfDay	Suffix	Controlled Load
Values	ABCD1111	01	KWH	ALLDAY	11	No
	ABCD1111	02	KWH	NOTUSED	21	No
	ABCD1111	03	KWH	OFFPEAK	31	No
	ABCD1111	04	KWH	CL1	41	HWLoad

13.6. Two meters, three registers. One register measures a controlled load

Table 23Table 37 Example CATS_NMI_DATA_STREAM

Data Element:	NMI	Suffix	ElectricityDataStream/Status	DataStreamType
Values	0123456789	11	A	C
	0123456789	21	A	C
	0123456789	42	A	C

Table 24Table 38 Example CATS_REGISTER_IDENTIFIER

Data Element:	Serial Number	RegisterID	UnitOfMeasure	TimeOfDay	Suffix	Controlled Load
Values	ABCD1111	01	KWH	PEAK	11	No
	ABCD1111	02	KWH	OFFPEAK	21	No
	XYZA1112	01	KWH	CL1	42	HWLoad

14. ASSIGNMENT OF DATA – INTERVAL METERS

This section details examples of the assignment of data for various Interval Meters.

14.1. One meter

Table 25Table 39 Example CATS_NMI_DATA_STREAM

Data Element:	NMI	Suffix	ElectricityDataStream/Status	DataStreamType
Value	0123456789	E1	A	I

The CATS_Register_Identifier table indicates that the *meter* has only one register. The Suffix in the CATS_REGISTER_IDENTIFIER [E1] denotes that data from RegisterID 01 contributes to the ElectricityDataStream Suffix identified by Suffix E1 in the CATS_NMI_DATA_STREAM table.

Table 26Table 40 Example CATS_REGISTER_IDENTIFIER

Data Element:	Serial Number	RegisterID	UnitOfMeasure	TimeOfDay	Suffix
Value	ABCD1111	E1	KWH	INTERVALALLDAY	E1

E1 indicates that it is a single element measuring export.

14.2. Import/Export meter

Interval Meter has a two registers, registering import and export *energy*. Multiple ElectricityDataStream Suffixes (E1 and B1) are defined for the *NMI*.

Table 27Table 41 Example CATS_NMI_DATA_STREAM

Data Element:	NMI	Suffix	ElectricityDataStream/Status	DataStreamType
Value	0123456789	E1	A	I
Value	0123456789	B1	A	I

The CATS_REGISTER_IDENTIFIER table indicates that the *meter* has two registers, one for IMPORT and one for EXPORT.

The Suffixes in the CATS_REGISTER_IDENTIFIER denote that data from RegisterIDs 'E1' and 'B1' align with the ElectricityDataStream Suffixes identified in theCATS_NMI_DATA_STREAM table.

Table 28Table 42 Example CATS_REGISTER_IDENTIFIER

Data Element:	Serial Number	RegisterID	UnitOfMeasure	TimeOfDay	Suffix
Values	ABCD1111	E1	KWH	INTERVALALLDAY	E1
	ABCD1111	B1	KWH	INTERVALALLDAY	B1

Only one RegisterID with the Suffix 'E1' permitted per *meter* in CATS_REGISTER_IDENTIFIER.

Only one RegisterID with the Suffix 'B1' permitted per *meter* in CATS_REGISTER_IDENTIFIER.

14.3. One meter: multiple registers

Interval Meter has a single measurement element registering import and export *energy*, reactive and *voltage*.

Table 29 **Table 43** Example CATS_NMI_DATA_STREAM

Data Element:	NMI	Suffix	ElectricityDataStream/Status	DataStreamType
Value	0123456789	E1	A	I
Value	0123456789	B1	A	I
Value	0123456789	Q1	A	N
Value	0123456789	K1	A	N

The CATS_Register_Identifier table indicates that the *meter* has five registers: two for IMPORT of *energy* and reactive; two for EXPORT of *energy* and reactive; and one for *voltage* monitoring.

Table 30 **Table 44** Example CATS_REGISTER_IDENTIFIER

Data Element:	Serial Number	RegisterID	UnitOfMeasure	TimeOfDay	Suffix
Values	ABCD1111	E1	KWH	INTERVALALLDAY	E1
	ABCD1111	B1	KWH	INTERVALALLDAY	B1
	ABCD1111	Q1	KVARH	INTERVALALLDAY	Q1
	ABCD1111	K1	KVARH	INTERVALALLDAY	K1
	ABCD1111	V1	VOLTS	INTERVALALLDAY	V1

14.4. One meter: Twin Measurement Elements

Certain multifunction *meters* have the capability for initial installation as an Accumulation Meter, but can be re-programmed to provide *interval metering data*.

The NER do not permit the use of two different types of *metering installation* on the one *NMI*, and therefore these two *metering* functions MUST NOT be active simultaneously in MSATS. **The MDP and MC will be held accountable for a breach of this requirement.**

The CATS_REGISTER_IDENTIFIER can be used to record the *meter* capability.

The CATS_REGISTER_IDENTIFIER table values for this *meter* when it is operated as an Interval Meter are shown below. The RegisterID for the Accumulation Meter registers in this type of *meter* are user defined. The Interval Meter suffixes must be added to the *NMI* and made active, and the basic Suffixes made inactive at the same date.

Table 31 **Table 45** Example CATS_NMI_DATA_STREAM

Data Element:	NMI	Suffix	ElectricityDataStream/Status	DataStreamType
Values	0123456789	E1	A	I
	0123456789	E2	A	I
	0123456789	11	I	C
	0123456789	21	I	C

Data Element:	NMI	Suffix	ElectricityDataStream/Status	DataStreamType
	0123456789	31	I	C
	0123456789	41	I	C

Table 32 **Table 46** Example CATS_REGISTER_IDENTIFIER

Data Element:	Serial Number	RegisterID	UnitOfMeasure	TimeOfDay	Suffix
Values	AB888888	E1	KWH	INTERVALALLDAY	E1
	AB888888	E2	KWH	INTERVALALLDAY	E2
	AB888888	11	KWH	PEAK	11
	AB888888	21	KWH	OFFPEAK	21
	AB888888	31	KWH	PEAK	31
	AB888888	41	KWH	OFFPEAK	41

If a second *meter* of the same configuration were established on this NMI, 'E3' and 'E4' RegisterIDs in the CATS_REGISTER_IDENTIFIER table and ElectricityDataStream Suffixes in the CATS_DATA_STREAM table would be required in order to provide unambiguous identification of Datastreams.

14.5. NCONUML and UMCP

Table 33 **Table 47** Example CATS_NMI_DATA_STREAM

Data Element:	NMI	Suffix	ElectricityDataStream/Status	DataStreamType
Values	1144885588	E1	A	I

Table 34 **Table 48** Example CATS_REGISTER_IDENTIFIER

Data Element:	Serial Number	RegisterID	UnitOfMeasure	TimeOfDay	Suffix
Values	Dummy <u>Value</u>	E1	KWH	INTERVALALLDAY	E1

15. ASSIGNMENTS OF DATA – SAMPLE METERS

The application of profiles in accordance with the Metrology Procedure requires *interval metering data* from Sites that have Accumulation Metering. However, the NER do not permit different metering installation types on the one *NMI*, and in any case, the Participants associated with the *interval metering data* are different to those associated with the Accumulation Meter. Therefore, for these *connection points*, two different *NMIs* are used.

There are *meters* that can combine the required Accumulation Metering and Interval Metering functions. An example is shown below.

15.1. Multifunction Sample Meter

In this case, a single *meter* is registered within MSATS for two purposes against two *NMIs*. This is a special case, and should not be used other than for this non-standard purpose. The *meter* has two circuits, with Accumulation Metering for *energy* trading and Interval Metering for the sample profile.

In this example, NMI 9801234567 is associated with the sample *meter installation* and NMI 9876543210 with the End User installation.

Table 35 **Table 49** Example CATS_NMI_DATA_STREAM

Data Element:	NMI	Suffix	ElectricityDataStream/Status	DataStreamType
Values	9801234567	E1	A	P
	9876543210	11	I	C
	9876543210	12	I	C
	9876543210	41	A	C

Table 36 **Table 50** Example CATS_REGISTER_IDENTIFIER

Data Element:	NMI	MeterSerial	RegisterID	UnitOfMeasure	TimeOfDay	Suffix
Values	9801234567	AB888888	E1	KWH	ALLDAY	E1
	9876543210	AB888888	11	KWH	PEAK	11
	9876543210	AB888888	12	KWH	OFFPEAK	12
	9876543210	AB888888	41	KWH	CL1	41

16. ~~CROSS REFERENCE OF BROWSER AND ASEXML DATA ELEMENTS~~

~~The tables below list the names that are used in the MSATS browser for each of the MSATS tables detailed in sections 4 to 10. The table also provides the aseXML data element names and the respective formats used in each context.~~

~~In some cases, such as date fields, the format of the field is shown differently in the Browser to that used in the related aseXML transactions. Also, aseXML uses full words throughout, rather than the coded values used in the Browser.~~

~~Refer section 17 for examples of the typical data element values as shown in the Browser. Section 18 provides definitions of the Browser formats shown in this section.~~

Table 37 — CATS_Meter_Register

Browser Field Name	aseXML Data Element Name	aseXML Path	Browser Format	aseXML Data Type
Additional Site Information	AdditionalSiteInformation	ElectricityMeter/AdditionalSiteInformation	VARCHAR2(100)	xsd:string maxLen = 100
Asset Management Plan	AssetManagementPlan	ElectricityMeter/AssetManagementPlan	VARCHAR2(50)	xsd:string maxLen = 50
Calibration Tables	CalibrationTables	ElectricityMeter/CalibrationTables	VARCHAR2(50)	xsd:string maxLen = 50
Communication Equipment Type	CommunicationsEquipmentType	ElectricityMeter/CommunicationsEquipmentType	VARCHAR2(4)	xsd:string maxLen = 4
Communication Protocol	CommunicationsProtocol	ElectricityMeter/CommunicationsProtocol	VARCHAR2(50)	xsd:string maxLen = 50
Data Conversion	DataConversion	ElectricityMeter/DataConversion	VARCHAR2(50)	xsd:string maxLen = 50
Data Validations	DataValidations	ElectricityMeter/DataValidations	VARCHAR2(50)	xsd:string maxLen = 50
Estimation Instruction	EstimationInstructions	ElectricityMeter/EstimationInstructions	VARCHAR2(50)	xsd:string maxLen = 50
Last Test Date	LastTestDate	ElectricityMeter/LastTestDate	dd-mmm-yyyy	xsd:date
Measurement Type	MeasurementType	ElectricityMeter/MeasurementType	VARCHAR2(4)	xsd:string maxLen = 4
Meter Constant	Constant	ElectricityMeter/Constant	VARCHAR2(12)	xsd:string maxLen = 12
Meter Hazard	Hazard	ElectricityMeter/Hazard	VARCHAR2(12)	xsd:string maxLen = 12
Meter Installation Type Code	InstallationTypeCode	ElectricityMeter/InstallationTypeCode	VARCHAR2(8)	xsd:string maxLen = 8
Meter Location	Location	ElectricityMeter/Location	VARCHAR2(50) See AddSiteInfo (above)	xsd:string maxLen = 50
Meter Manufacturer	Manufacturer	ElectricityMeter/Manufacturer	VARCHAR2(15)	xsd:string maxLen = 15
Meter Model	Model	ElectricityMeter/Model	VARCHAR2(12)	xsd:string maxLen = 12
Meter Point	Point	ElectricityMeter/Point	VARCHAR(2)	xsd:string maxLen = 2
Meter Program	Program	ElectricityMeter/Program	VARCHAR2(30)	xsd:string maxLen = 30
Meter Read Type	ReadTypeCode	ElectricityMeter/ReadTypeCode	VARCHAR(4)	xsd:string maxLen = 4
Meter Route	Route	ElectricityMeter/Route	VARCHAR2(12)	xsd:string maxLen = 12
Meter Serial ID Meter ID	SerialNumber	ElectricityMeter/SerialNumber	VARCHAR2(12)	xsd:string maxLen = 12

STANDING DATA FOR MSATS

(Different on two screens)				
Status Code	Status	ElectricityMeter/Status	CHAR(1)	xsd:string with enumeration
Meter Use	Use	ElectricityMeter/Use	VARCHAR2(10)	xsd:string maxLen = 10
Next Scheduled Read Date	NextScheduledReadDate	ElectricityMeter/NextScheduledReadDate	dd-mmm-yyyy	xsd:date
Next Test Date	NextTestDate	ElectricityMeter/NextTestDate	dd-mmm-yyyy	xsd:date
NMI	NMI	NMI	CHAR(10)	xsd:string maxLen = 10
Passwords	Password	ElectricityMeter/Password	VARCHAR2(20)	xsd:string maxLen = 20
Remote Phone Number	RemotePhoneNumber	ElectricityMeter/RemotePhoneNumber	VARCHAR2(12)	xsd:string maxLen = 12
Test & Calibration Program	TestCalibrationProgram	ElectricityMeter/TestCalibrationProgram	VARCHAR2(50)	xsd:string maxLen = 50
Test Performed By	TestPerformedBy	ElectricityMeter/TestPerformedBy	VARCHAR2(20)	xsd:string maxLen = 20
Test Result Accuracy	TestResultAccuracy	ElectricityMeter/TestResultAccuracy	NUMBER(8,5)	xsd:decimal totdig = 8 fracdig = 5
Test Result Notes	TestResultNotes	ElectricityMeter/TestResultNotes	VARCHAR2(50)	xsd:string maxLen = 50
Transformer Location	TransformerLocation	ElectricityMeter/TransformerLocation	VARCHAR2(30)	xsd:string maxLen = 30
Transformer Ratio	TransformerRatio	ElectricityMeter/TransformerRatio	VARCHAR2(20)	xsd:string maxLen = 20
Transformer Type	TransformerType	ElectricityMeter/TransformerType	VARCHAR2(20)	xsd:string maxLen = 20
User Access Rights	UserAccessRights	ElectricityMeter/UserAccessRights	VARCHAR2(50)	xsd:string maxLen = 50
Start Date	FromDate	FromDate	dd-mmm-yyyy	xsd:dateTime
End Date	ToDate	ToDate	dd-mmm-yyyy	xsd:dateTime
Updated On	MaintenanceDate	MaintenanceDate	dd-mmm-yyyy (summary screen) dd-mmm-yyyy hh:mm:ss (detail screen)	xsd:dateTime
Created On	CreationDate	CreationDate	dd-mmm-yyyy (summary screen) dd-mmm-yyyy hh:mm:ss (detail screen)	xsd:dateTime

STANDING DATA FOR MSATS

Activity Status	RowStatus	RowStatus	CHAR(1)	xsd:string with enumeration
-----------------	-----------	-----------	---------	-----------------------------

Table 38 — CATS_DLF_Codes

Browser Field Name	aseXML Data Element Name	aseXML Path	Browser Format	aseXML Data Type
DLF Code	DistributionLossFactorCode	DistributionLossFactorCode	VARCHAR2(4)	xsd:string maxLen = 4
Description	DistributionLossFactorDescription	DistributionLossFactorDescription	VARCHAR2(50)	xsd:string maxLen = 50
DLF Value	DistributionLossFactorValue	DistributionLossFactorValue	NUMBER(6,5)	xsd:decimal minIncl = 0 maxIncl = 2 totdig = 6 fracdig = 5
Jurisdiction	JurisdictionCode	ElectricityStandingData/MasterData/JurisdictionCode	VARCHAR2(3)	xsd:string maxLen = 3
Activity Status	RowStatus	RowStatus	CHAR(1)	xsd:string with enumeration
Start Date	FromDate	FromDate	dd-mmm-yyyy	xsd:dateTime
End Date	ToDate	ToDate	dd-mmm-yyyy	xsd:dateTime
Updated On	MaintenanceDate	MaintenanceDate	dd-mmm-yyyy (summary screen) dd-mmm-yyyy hh:mm:ss (detail screen)	xsd:dateTime
	CreationDate	CreationDate	dd-mmm-yyyy (summary screen) dd-mmm-yyyy hh:mm:ss (detail screen)	xsd:dateTime

Table 39 — CATS_Emb_Net_ID_Codes

Browser Field Name	aseXML Data Element Name	aseXML Path	Browser Format	aseXML Data Type
Code	EmbeddedNetworkIdentifier	EmbeddedNetworkIdentifier	VARCHAR2(10)	xsd:string maxLen = 10
Description	EmbeddedNetworkDescription	EmbeddedNetworkDescription	VARCHAR2(50)	xsd:string maxLen = 50
Locality/Suburb	SuburbOrPlaceOrLocality	ElectricityStandingData/MasterData/Address/AustralianAddress/SuburbOrPlaceOrLocality	VARCHAR2(46)	xsd:string maxLen = 46
Postcode	PostCode	ElectricityStandingData/MasterData/Address/AustralianAddress/PostCode	VARCHAR2(4)	xsd:string pattern: [p(N)](4)
State	StateOrTerritory	ElectricityStandingData/MasterData/Address/AustralianAddress/StateOrTerritory	VARCHAR2(3)	xsd:string with enumerations

Activity Status	RowStatus	RowStatus	CHAR(1)	xsd:string with enumeration
Start Date	FromDate	FromDate	dd-mmm-yyyy	xsd:dateTime
End Date	ToDate	ToDate	dd-mmm-yyyy	xsd:dateTime
Updated-On	MaintenanceDate	MaintenanceDate	dd-mmm-yyyy (summary screen) dd-mmm-yyyy hh:mm:ss (detail screen)	xsd:dateTime
	CreationDate	CreationDate	dd-mmm-yyyy (summary screen) dd-mmm-yyyy hh:mm:ss (detail screen)	xsd:dateTime

Table 40 — CATS_NMI_Data

Browser Field Name	aseXML Data Element Name	aseXML Path	Browser Format	aseXML Data Type
NMI	NMI	NMI	CHAR(10)	xsd:string maxLen = 10
NMI Classification Code	NMIClassificationCode	ElectricityStandingData/MasterData/NMIClassificationCode	VARCHAR2(8)	xsd:string maxLen = 8
Status Code	Status	ElectricityStandingData/MasterData/Status	CHAR(1)	xsd:string maxLen = 1
TNI Code	TransmissionNodeIdentifier	ElectricityStandingData/MasterData/TransmissionNodeIdentifier	VARCHAR2(4)	xsd:string maxLen = 4
Jurisdiction Code	JurisdictionCode	JurisdictionCode	VARCHAR2(3)	xsd:string maxLen = 3
DLF Code	DistributionLossFactorCode	ElectricityStandingData/MasterData/DistributionLossFactorCode	VARCHAR2(4)	xsd:string maxLen = 4
Embedded Network ID (Child)	ChildEmbeddedNetworkIdentifier	ElectricityStandingData/MasterData/ChildEmbeddedNetworkIdentifier	VARCHAR2(10)	xsd:string maxLen = 10
Embedded Network (Parent)	ParentEmbeddedNetworkIdentifier	ElectricityStandingData/MasterData/ParentEmbeddedNetworkIdentifier	VARCHAR2(10)	xsd:string maxLen = 10
Building/Property Name	BuildingOrPropertyName	ElectricityStandingData/MasterData/Address/AustralianAddress/StructuredAddress/BuildingOrPropertyName	VARCHAR2(30)	xsd:string maxLen = 30 x2
Lot Number	LotNumber	ElectricityStandingData/MasterData/Address/AustralianAddress/StructuredAddress/Lot/LotNumber	VARCHAR2(6)	xsd:string pattern: [p(L)\p(N)\p(P)\s]{1,6}
Flat/Unit Number	FlatOrUnitNumber	ElectricityStandingData/MasterData/Address/AustralianAddress/StructuredAddress/FlatOrUnit/FlatOrUnitNumber	VARCHAR2(7)	xsd:string pattern:

				[p(L)\p(N)\p(P)\s]{1,7}
Flat/Unit Type	FlatOrUnitType	ElectricityStandingData/MasterData/Address/AustralianAddress/StructuredAddress/FlatOrUnit/FlatOrUnitType	VARCHAR2(4)	xsd:string-with-enumerations
Floor/Level Number	FloorOrLevelNumber	ElectricityStandingData/MasterData/Address/AustralianAddress/StructuredAddress/FloorOrLevel/FloorOrLevelNumber	VARCHAR2(5)	xsd:string [p(L)\p(N)\p(P)\s]{1,5}
Floor/Level Type	FloorOrLevelType	ElectricityStandingData/MasterData/Address/AustralianAddress/StructuredAddress/FloorOrLevel/FloorOrLevelType	VARCHAR2(2)	xsd:string-with-enumerations
House Number	HouseNumber	ElectricityStandingData/MasterData/Address/AustralianAddress/StructuredAddress/House/HouseNumber	NUMBER(5)	xsd:nonNegativeInteger maxIncl = 99999
House Number Suffix	HouseNumberSuffix	ElectricityStandingData/MasterData/Address/AustralianAddress/StructuredAddress/House/HouseNumberSuffix	VARCHAR2(1)	xsd:string-pattern: [p(L)\p(N)]{1}
Street Name	StreetName	ElectricityStandingData/MasterData/Address/AustralianAddress/StructuredAddress/Street/StreetName	VARCHAR2(30)	xsd:string-pattern: [p(L)\p(N)\s-]{1,30}
Street Name Suffix	StreetSuffix	ElectricityStandingData/MasterData/Address/AustralianAddress/StructuredAddress/Street/StreetSuffix	VARCHAR2(2)	xsd:string-with-enumerations
Street Type	StreetType	ElectricityStandingData/MasterData/Address/AustralianAddress/StructuredAddress/Street/StreetType	VARCHAR2(4)	xsd:string-with-enumerations
Suburb/Locality	SuburbOrPlaceOrLocality	ElectricityStandingData/MasterData/Address/AustralianAddress/StructuredAddress/SuburbOrPlaceOrLocality	VARCHAR2(46)	xsd:string maxLen = 46
Location Descriptor	LocationDescriptor	ElectricityStandingData/MasterData/Address/AustralianAddress/StructuredAddress/LocationDescriptor	VARCHAR2(30)	xsd:string-pattern: [p(L)\p(N)\p(P)\s]{1,30}
Postcode	PostCode	ElectricityStandingData/MasterData/Address/AustralianAddress/PostCode	VARCHAR2(4)	xsd:string-pattern: [p(N)]{4}
State	StateOrTerritory	ElectricityStandingData/MasterData/Address/AustralianAddress/StateOrTerritory	VARCHAR2(3)	xsd:string-with-enumerations
DPID	DeliveryPointIdentifier	ElectricityStandingData/MasterData/Address/AustralianAddress/StructuredAddress/DeliveryPointIdentifier	NUMBER(8)	xsd:nonNegativeInteger minIncl = 10000000 maxIncl = 99999999

STANDING DATA FOR MSATS

Unstructured Address	AddressLine	ElectricityStandingData/MasterData/Address/AustralianAddress/UnstructuredAddress/Address/AddressLine	VARCHAR2(80)	xsd:string maxLen = 80 x-3
Aggregate-Flag	Aggregate	ElectricityStandingData/MasterData/Aggregate	CHAR(1)	xsd:string with enumeration
Start-Date	FromDate	FromDate	dd-mmm-yyyy	xsd:dateTime
End-Date	ToDate	ToDate	dd-mmm-yyyy	xsd:dateTime
Updated-On	MaintenanceDate	MaintenanceDate	dd-mmm-yyyy (summary-screen) dd-mmm-yyyy hh:mm:ss (detail-screen)	xsd:dateTime
Created-On	CreationDate	CreationDate	dd-mmm-yyyy (summary-screen) dd-mmm-yyyy hh:mm:ss (detail-screen)	xsd:dateTime
Activity-Status	RowStatus	RowStatus	CHAR(1)	xsd:string with enumeration
Feeder-Class	Feeder-Class	ElectricityStandingData/MasterData/FeederClass	VARCHAR2(15)	xsd:string maxLen = 15
Customer-Classification-Code	CustomerClassificationCode	ElectricityStandingData/MasterData/CustomerClassificationCode	VARCHAR2(20)	xsd:string maxLen = 20
Customer-Classification-Threshold-Code	CustomerThresholdCode	ElectricityStandingData/MasterData/CustomerThresholdCode	VARCHAR2(20)	xsd:string maxLen = 20
NMI	NMI	NMI	CHAR(10)	xsd:string maxLen = 10
Suffix	Suffix	ElectricityDataStream/Suffix	VARCHAR2(2)	xsd:string maxLen = 2
Status-Code	Status	ElectricityDataStream/Status	CHAR(1)	xsd:string maxLen = 1
Average-Daily-Load	AveragedDailyLoad	ElectricityDataStream/AveragedDailyLoad	NUMBER(10)	xsd:integer
Type	DataStreamType	ElectricityDataStream/DataStreamType	CHAR(1)	xsd:string with enumeration
Profile-Name	ProfileName	ElectricityDataStream/ProfileName	VARCHAR2(10)	xsd:string maxLen = 10
Start-Date	FromDate	FromDate	dd-mmm-yyyy	xsd:dateTime
End-Date	ToDate	ToDate	dd-mmm-yyyy	xsd:dateTime
Updated-On	MaintenanceDate	MaintenanceDate	dd-mmm-yyyy (summary-screen)	xsd:dateTime

			dd-mmm-yyyy hh:mm:ss (detail-screen)	
Created-On	CreationDate	CreationDate	dd-mmm-yyyy (summary-screen) dd-mmm-yyyy hh:mm:ss (detail-screen)	xsd:dateTime
Activity-Status	RowStatus	RowStatus	CHAR(1)	xsd:string with enumeration

Table 41—CATS_Register_Identifier

Browser Field-Name	aseXML-Data Element Name	aseXML-Path	Browser-Format	aseXML-Data Type
NMI	NMI	NMI	CHAR(10)	xsd:string maxLen = 10
Meter-Serial-ID Meter-ID (Different on two screens)	SerialNumber	SerialNumber	VARCHAR2(12)	xsd:string maxLen = 12
Register-ID	RegisterID	ElectricityMeterRegisterDetail/R egisterID	VARCHAR2(10)	xsd:string maxLen = 10
Network-Tariff-Code	NetworkTariffCode	ElectricityMeterRegisterDetail/N etworkTariffCode	VARCHAR2(10)	xsd:string maxLen = 10
Network-Tariff-Additional-Information	NetworkAdditionalInformation	ElectricityMeterRegisterDetail/ NetworkAdditionalInformation	VARCHAR2(4000)	xsd:string
Unit-of-Measure	UnitOfMeasure	ElectricityMeterRegisterDetail/ UnitOfMeasure	VARCHAR2(5)	xsd:string maxLen = 5
Time-of-Day	TimeOfDay	ElectricityMeterRegisterDetail/ TimeOfDay	VARCHAR2(10)	xsd:string maxLen = 10
Multiplier	Multiplier	ElectricityMeterRegisterDetail/M ultiplier	Number(13,5)	xsd:decimal
Dial-Format	DialFormat	ElectricityMeterRegisterDetail/D ialFormat	Number(4,2)	xsd:decimal minIncl = 0 maxIncl = 99.99 totdig = 4 fracdig = 2
Suffix	Suffix	ElectricityMeterRegisterDetail/S uffix	VARCHAR2(2)	xsd:string maxLen = 2
Controlled-Load	ControlledLoad	ElectricityMeterRegisterDetail/C ontrolledLoad	VARCHAR2(100)	xsd:string maxLen = 100
Status-Code	Status	ElectricityMeterRegisterDetail/ Status	CHAR(1)	xsd:string with enumeration

Actual/Cumulative Indicator	ConsumptionType	ElectricityMeterRegisterDetail/ConsumptionType	CHAR(1)	xsd:string with enumeration
Demand-1	Demand1	ElectricityMeterRegisterDetail/Demand1	Number(8)	xsd:integer totalDigits=8
Demand-2	Demand2	ElectricityMeterRegisterDetail/Demand2	Number(8)	xsd:integer totalDigits=8
Start-Date	FromDate	FromDate	dd-mmm-yyyy	xsd:dateTime
End-Date	ToDate	ToDate	dd-mmm-yyyy	xsd:dateTime
Updated-On	MaintenanceDate	MaintenanceDate	dd-mmm-yyyy (summary screen) dd-mmm-yyyy hh:mm:ss (detail screen)	xsd:dateTime
Created-On	CreationDate	CreationDate	dd-mmm-yyyy (summary screen) dd-mmm-yyyy hh:mm:ss (detail screen)	xsd:dateTime
Activity-Status	RowStatus	RowStatus	CHAR(1)	xsd:string with enumeration

Table 42 — CATS_NMI_Participant_Relations

Browser Field Name	aseXML Data Element Name	aseXML Path	Browser Format	aseXML Data Type
Participant ID	Party	Party	VARCHAR2(10)	xsd:string
NMI	NMI	NMI	CHAR(10)	xsd:string maxLength=10
Role	Role	Role	VARCHAR2(4)	xsd:string maxLength=4
Start-Date	FromDate	FromDate	dd-mmm-yyyy	xsd:dateTime
End-Date	ToDate	ToDate	dd-mmm-yyyy	xsd:dateTime
Updated-On	MaintenanceDate	MaintenanceDate	dd-mmm-yyyy (summary screen) dd-mmm-yyyy hh:mm:ss (detail screen)	xsd:dateTime
Created-On	CreationDate	CreationDate	dd-mmm-yyyy (summary screen) dd-mmm-yyyy hh:mm:ss (detail screen)	xsd:dateTime
Activity-Status	RowStatus	RowStatus	CHAR(1)	xsd:string with enumeration

~~17. EXAMPLES OF TYPICAL FIELD VALUES~~

~~This section provides examples of typical sets of data element values associated with different types of connection points.~~

~~The data shown in each example is as shown in the Browser. This reverses the sequence of the day-month-year communicated via aseXML transactions.~~

Table 43—CATS_Meter_Register

Data Element Name (as it appears in XML documents)	Browser Field Name(as it appears in MSATS Browser)	Basic Example	Interval Example	Data Element Name
AdditionalSiteInformation	Additional Site Information	MTR-ON-SITE-AT-17B	Red-Reoster	AdditionalSiteInformation
AssetManagementPlan	Asset Management Plan	CITIPOWER-METER-MANAGEMENT-PLAN	PER-CE-DOC: TYPES 1-4 ASSET MANAGEMENT & TEST PLAN	AssetManagementPlan
CalibrationTables	Calibration Tables	Q		CalibrationTables
CommunicationsEquipmentType	Communication Equipment Type	FACE	96	CommunicationsEquipmentType
CommunicationsProtocol	Communication Protocol	NA	EMAIL-MINI-GATEWAY-S/N-SU121-MV90-2-TBD-TBD	CommunicationsProtocol
DataConversion	Data Conversion	.0005	.0005	DataConversion
DataValidations	Data Validations	As per Metrology Procedure Part B	As per Metrology Procedure Part B	DataValidations
EstimationInstructions	Estimation Instruction	As per Metrology Procedure Part B (TYPES-61, 62, 65)	As per Metrology Procedure Part B (TYPES-14)	EstimationInstructions
LastTestDate	Last Test Date	07-05-2004	07-03-2004	LastTestDate
MeasurementType	Measurement Type	EQ	EQ	MeasurementType
Constant	Meter Constant	40	.5	Constant
Hazard	Meter Hazard		Asbestos	Hazard
InstallationTypeCode	Meter Installation Type Code	BASIC	COMMS4	InstallationTypeCode
Location	Meter Location	ON-SUB-POLE	BEHIND-DOOR	Location
Manufacturer	Meter Manufacturer	EMAIL	EDMI	Manufacturer
Model	Meter Model	Q3	Q4	Model
Point	Meter Point	01	01	Point
Program	Meter Program	30-NP-3.2-CT-FACE-PLATE-READ	10-AE-CT-KVAR-9600	Program
ReadTypeCode	Meter Read Type	MV3	RTD	ReadTypeCode

STANDING DATA FOR MSATS

Route	Meter-Route	11618	1305	Route
SerialNumber	Meter-Serial-ID, Meter-ID (Different on two screens)	525811	201000299	SerialNumber
Status	Status-Code	€	€	Status
Use	Meter-Use	REVENUE	REVENUE	Use
NextScheduledReadDate	Next-Scheduled-Read-Date	04-10-2006		NextScheduledReadDate
NextTestDate	Next-Test-Date	17-05-2004	10-05-2004	NextTestDate
NMI	NMI	1122334455	1122334455	NMI
Password	Passwords	12345	12345	Password
RemotePhoneNumber	Remote-Phone-Number	FACE-READ	0555-825-987	RemotePhoneNumber
TestCalibrationProgram	Test-&-Calibration-Program	AS-PER-AS/NZ-1284	AS-PER-AS/NZ-1284	TestCalibrationProgram
TestPerformedBy	Test-Performed-By	Ron-Sargeant	SMU	TestPerformedBy
TestResultAccuracy	Test-Result-Accuracy	-0.20000	-0.11000	TestResultAccuracy
TestResultNotes	Test-Result-Notes	CHECK-AND-RESEAL-METER	METER-TEST-CORRECT	TestResultNotes
TransformerLocation	Transformer-Location		REAR-OFBUILDING	TransformerLocation
TransformerRatio	Transformer-Ratio		1500/5	TransformerRatio
TransformerType	Transformer-Type		24-WIRE-WOUND	TransformerType
UserAccessRights	User-Access-Rights	AS-PER-AS/NZ-1284	MDP-ONLY-ACCESS	UserAccessRights
FromDate	Start-Date	14-03-1990	16-03-2002	FromDate
ToDate	End-Date	31-12-9999	18-07-2006	ToDate
MaintenanceDate	Updated-On	31-12-999-00:00:00	31-12-999-00:00:00	MaintenanceDate
CreationDate	Created-On	19-03-1990-00:01:00	18-03-2002-00:01:00	CreationDate
RowStatus	Activity-Status	A	A	RowStatus

Table 44 — CATS_DLF_Codes

Data Element Name	Browser Field Name	Basic & Interval Example
DistributionLossFactorCode	DLF-Code	NHV1
DistributionLossFactorDescription	Description	UMPLP - High Voltage
DistributionLossFactorValue	{The actual DLF value}	1.1111
JurisdictionCode	Jurisdiction-Code	SA
RowStatus	Activity-Status	A
FromDate	Start-Date	01-07-1999
ToDate	End-Date	30-06-2000
MaintenanceDate	Updated-On	31-05-2000-00:30:27
CreationDate		01-06-1999-00:23:32

Table 45 — CATS_Emb_Net_ID_Codes

Data Element Name	Browser Field Name	Basic & Basic Example
EmbeddedNetworkIdentifier	Code	SE01008111
EmbeddedNetworkDescription	Description	Kingston-On-Murray Caravan Park
SuburbOrPlaceOrLocality	Suburb-/Locality	Kingston-On-Murray
PostCode	Postcode	5331
StateOrTerritory	State	SA
RowStatus	Activity-Status	A
FromDate	Start-Date	05-04-2003
ToDate	End-Date	31-12-9999
MaintenanceDate	Updated-On	31-12-9999
CreationDate		01-04-2003-13:23:35

Table 46 — CATS_NMI_Data

Data Element Name	Browser Field Name	Basic Example	Interval Example
NMI	NMI	122334451	1122334455
NMIClassificationCode	NMI-Classification-Code	SMALL	LARGE
MasterData/Status	Status-Code	A	G
TransmissionNodeIdentifier	TNI-Code	NRGE	SBER
JurisdictionCode	Jurisdiction-Code	NSW	SA
DistributionLossFactorCode	DLF-Code	NRGE	NLV2
ChildEmbeddedNetworkIdentifier	Embedded-Network-ID (Child)	NS01008111	SE01008111
ParentEmbeddedNetworkIdentifier	Embedded-Network (Parent)	NS01008111	SE01008111
BuildingOrPropertyName	Building-/Property-Name	BP	SHELL
LotNumber	Lot-Number	22	23

FlatOrUnitNumber	Flat/Unit Number	1	2
FlatOrUnitType	Flat/Unit Type	U	U
FloorOrLevelNumber	Flat/Unit Number	1	1
FloorOrLevelType	Floor/Level Type	FL	FL
HouseNumber	House Number	6	10
HouseNumberSuffix	House Number Suffix	A	B
StreetName	Street Name	BORIS	DORIS
StreetSuffix	Street Name Suffix	N	W
StreetType	Street Type	DR	ST
SuburbOrPlaceOrLocality	Suburb/Locality	ORANGE	LOXTON
LocationDescriptor	Location Descriptor	CNR-FRED ST	SHELL SERVICE STATION
PostCode	Postcode	2211	5333
StateOrTerritory	State	NSW	SA
DeliveryPointIdentifier	DPID	01234567	12345678
AddressLine	Unstructured Address 1	Text	Text
AddressLine	Unstructured Address 2	Text	Text
AddressLine	Unstructured Address 3	Text	Text
Aggregate	Aggregate Flag	Y	Y
FromDate	Start Date	01-06-2004	01-06-2001
ToDate	End Date	31-12-9999	01-01-2003
MaintenanceDate	Updated On	31-12-9999 00:00:00	05-01-2003 00:01:00
CreationDate	Created On	04-01-2004 09:31:00	01-06-2001 00:01:00
RowStatus	Activity Status	A	A
FeederClass	Feeder Class	ERGUD	ERGUD
Customer ClassificationCode	Customer Classification	RESIDENTIAL	BUSINESS
CustomerThresholdCode	Customer Threshold	LOW	HIGH

Table 47 — CATS_NMI_Data_Stream

Data Element Name	Browser Field Name	Basic Example	Interval Example
NMI	NMI	1100445566	2211335544
ElectricityDataStream/Suffix	Suffix	31	E1
ElectricityDataStream/Status	Status Code	A	A
ElectricityDataStream/AveragedDailyLoad	Average Daily Load	5	800
ElectricityDataStream/DataStreamType	Type	E	I
ElectricityDataStream/ProfileName	Profile Name	NSLP	NOPROF

FromDate	Start Date	31-12-2001	01-06-2005
ToDate	End Date	31-12-9999	31-12-9999
MaintenanceDate	Updated On	02-01-2004 13:27:58	31-12-9999
CreationDate	Created On	19-01-2002 17:15:23	05-06-2005 15:12:20
RowStatus	Activity Status	†	A

Table 48 — CATS_Register_Identifier

Data Element Name	Browser Field Name	Basic Example	Interval Example
NMI	NMI	1100445566	2211335544
SerialNumber	Meter Serial ID Meter ID (Different on two screens)	000012345	112258
RegisterID	Register ID	1	E1
NetworkTariffCode	Network Tariff Code	BLNB2CO	MB2R1
NetworkAdditionalInformation	Network Tariff Additional Information	General Supply Non TOU Eligible	LV TOU Demand Eligible
UnitOfMeasure	Unit of Measure	KWH	KWH
TimeOfDay	Time of Day	ALLDAY	<u>INTERVAL</u> ALLDAY
Multiplier	Multiplier	1.00000	120.00000
DialFormat	Dial Format	5.00	5.10
Suffix	Suffix	11	E1
ControlledLoad	Controlled Load	HWLoad	No
Status	Status Code	€	€
ConsumptionType	Actual/Cumulative Indicator	€	A
Demand1	Demand 1	0	0
Demand2	Demand 2	0	0
FromDate	Start Date	01-08-2004	01-06-2005
ToDate	End Date	31-12-9999	31-12-9999
MaintenanceDate	Updated On	31-12-9999	31-12-9999
CreationDate	Created On	01-11-2005 22:30:30	05-06-2005 09:09:09
RowStatus	Activity Status	A	A

18.16. DATA TYPE CONVENTIONS

The Browser formats used in section 16 are as defined in the following table.

The value of "x" must be positive and cannot be zero.

For explanation of the aseXML data types shown in section 16 refer

<http://www.w3.org/TR/xmlschema-0/#simpleTypesTable>

Table: Browser Formats

	Format	Definition
1	CHAR(x)	Indicates a field that can only contain alphanumeric characters and must contain exactly "x" characters. Note that leading and trailing "spaces" are considered significant (i.e. form part of the "x" characters for the field).
2	VARCHAR2(x)	Indicates a character field containing up to "x" characters.
3	NUMBER(x)	Indicates a positive integer (zero or above) up to "x" significant digits long; any leading zeroes are not significant and hence "050" is equivalent to "50".
4	NUMBER(x.y)	Indicates a positive number with up to "x" significant characters to the left of the decimal point and "y" decimal places after the decimal point (trailing zeros are optional). In other words, the maximum length of the field as a whole is "x"+"y"+1 characters (the +1 reserving space for the decimal point).