

# aseXML SCHEMA CHANGE REQUEST

PREPARED BY: NANDKUMAR GAIKWAD - AEMO

DOCUMENT REF: CR49

VERSION: 1.2 DATE: 17/12/2012

DRAFT/FINAL DRAFT

## Version Release History

Version	Date	By	Changes
1.0	18/09/2012	Nandkumar Gaikwad	Change proposal to <ul style="list-style-type: none"><li>Make the IHNS element in GasIHNTType optional</li></ul>
	24/09/2012	Anne Waller	Added schema diagrams
1.1	18/10/2012	Pius Kurian	Removed changes to Agency Injection Hedge Nomination (AIHN)
1.2	17/12/2012	Pius Kurian	Changed Figure 1 for GasIHNTType showing IHNS element as optional Section 3.1.2 modified with the correct set of test cases

## Glossary

Abbreviation	Description

# Contents

- 1 Change Proposal ..... 4
  - 1.1 Description of the proposed change ..... 4
  - 1.2 Reason for Change ..... 4
  - 1.3 Supplied Documents ..... 4
    - 1.3.1 Business process document ..... 4
    - 1.3.2 Other ..... 4
  - 1.4 Baseline Schema ..... 5
- 2 Approval Proposal ..... 5
  - 2.1 Proposed Change ..... 5
    - 2.1.1 Draft schema ..... 5
    - 2.1.2 Change log ..... 5
    - 2.1.3 Schema change description ..... 5
    - 2.1.4 Impact Summary ..... 7
    - 2.1.5 Developer Test ..... 8
- 3 Proposal Assessment ..... 9
  - 3.1 Test ..... 9
    - 3.1.1 Test Platforms ..... 9
    - 3.1.2 Test Cases ..... 9
    - 3.1.3 Test Results ..... 10
  - 3.2 Conformance Report ..... 10
- 4 Issue Register ..... 10
  - 4.1 Status of Issues ..... 10
- 5 Resolution ..... 10
  - 5.1 ASWG Endorsement ..... 10

## 1 Change Proposal

This Change Proposal is to make the version attribute of all transactions optional with a default value.

- Make the IHNS element in GasIHNTYPE optional

These schema changes are necessary to implement business changes in Agency Injection Hedge Nomination – AIHN.

### 1.1 Description of the proposed change

The proposed changes are listed in the following table.

Item#	Change Description	Change Type <sup>1</sup>
1	Change URN and version for the schema	Enhancement
2	Add new simpleType for version r31	Enhancement
4	Make the IHNS element in GasIHNTYPE optional	Enhancement

Table 1-1, Proposed Changes

### 1.2 Reason for Change

Gas Release 32 will be introducing two changes to the AEMO Web Exchanger GUI. In order for the associated Web Services functionality to remain consistent with the Web Exchanger GUI functionality, two schema changes are required to support these changes. High level descriptions of the two changes are detailed below:

1. Injection Hedge Nomination (IHN) and AMIQ Profile Decoupling:

Market Participants will now be able to submit an AMIQ profile in the Web Exchanger GUI without having to also specify IHN for the same day. This will require the IHNS element in GasIHNTYPE to become optional for Web Service submissions.

These changes are scheduled for release into the Production systems in early April 2013.

### 1.3 Supplied Documents

#### 1.3.1 Business process document

-None-

#### 1.3.2 Other

aseXML\_r31\_Draft\_zip

<sup>1</sup> Change Type can be one of

- New
- Enhancement, or
- Bug Fix

## 1.4 Baseline Schema

The schema used as a basis for this proposal is aseXML\_r30.xsd.

## 2 Approval Proposal

### 2.1 Proposed Change

#### 2.1.1 Draft schema

The draft schema is attached as aseXML\_r31\_Draft\_zip.

#### 2.1.2 Change log

The following changes have been implemented in this draft:

Chg #	Item #	Description of change	Filename
1	1	Change the xmlns URN and version number of the schema	aseXML_r31.xsd
1	2	Add simpleType r31	Events_r31.xsd
1	4	Make the IHNS element in GasIHNTType optional	GasMarketWholesale_r31.xsd
1	5	Change the version attribute of following complex types from r30 (optional and default r30) to r31( optional and default r31)	

Table 2-1 Change Log

#### 2.1.3 Schema change description

The proposed change to the AIHN web service incorporates the addition of an optional element WithdrawalFromGasDay and to allow for the optional entry of the element IHNS element.

The changes are primarily contained in the file GasMarketWholesale\_r31.xsd. Events\_r31.xsd and aseXML\_r31.xsd changed to support the schema version change

##### 2.1.3.1 aseXML\_r31.xsd

Changed the URN and references to XSD files changed i.e. GasMarketWholesale\_r31.xsd and Events\_r31.xsd

##### 2.1.3.2 Events\_r31.xsd

Added simple type r31 to support the schema change.

##### 2.1.3.3 GasMarketWholesale\_r31.xsd

The following changes are done in this file

- Modified complex type GasIHNTType, changed element IHNS by specifying minOccurs=0

- Changed the version attribute of following complex types from r30, default and optional to version r31 default and optional
  - GasRetrieveResponseData
  - GasSearchResponseData
  - GasSubmitRequestData
  - GasSubmitResponseData

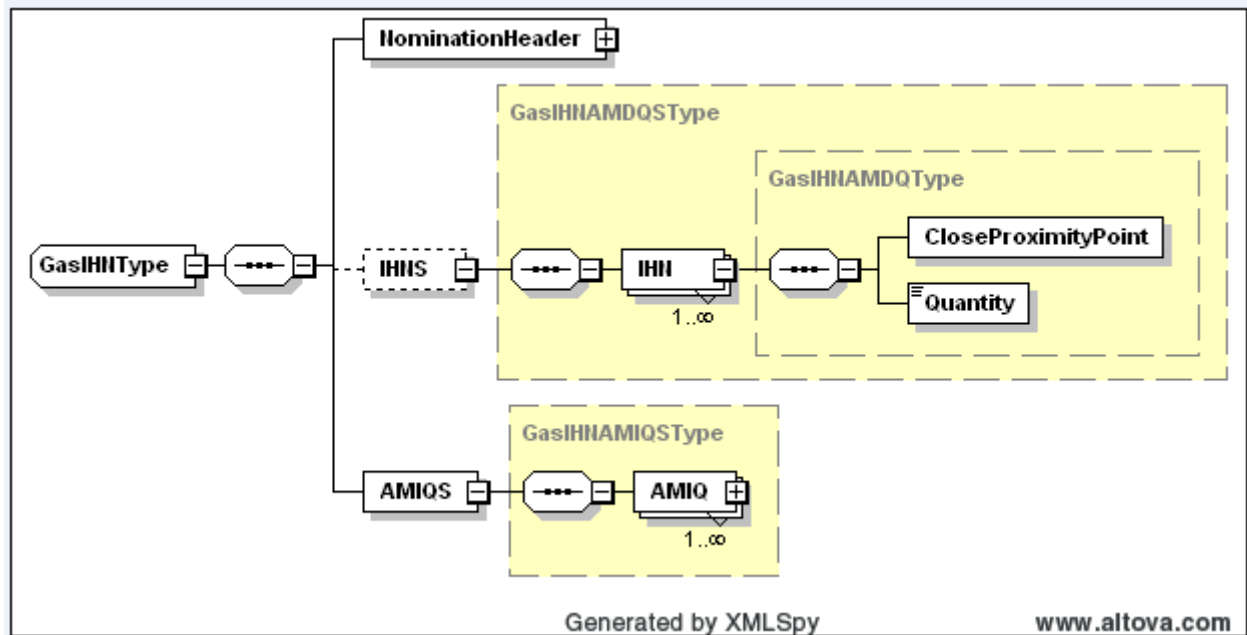


Figure 1 GasIHNTType

## 2.1.4 Impact Summary

This table identifies the files, transactions and versioned types that are potentially impacted as the result of these changes, where:

- Modified types - is a full list of types changed by this Change Request
- Derived types – is a list of any types that are derived from a modified type, and are therefore also modified by default
- Versioned types affected – is a list of all versioned types.
- Transactions potentially affected – is a list of all transactions that contain a modified type, either directly or via a type substitution
- Schema files affected – is a list of schema files that will be changed in some way as a result of this Change Request.

Modified type	Derived types	Versioned types affected	Transactions potentially affected	Schema files affected
GasIHNTType	GasInjectionNominationsType	GasRetrieveResponseData GasSubmitResponseData GasSearchResponseData GasSubmitRequestData	WholesaleRetrieveResponse WholesaleSubmitResponse WholesaleSearchResponse WholesaleSubmitRequest	GasMarketWholesale_r30.xsd

Table 2-2, Impact Summary

## 2.1.5 Developer Test

### 2.1.5.1 Test Platforms

The new schema has been tested using the following platforms as advised by ASWG:

- MSXML4 SP1 and MSXML 6
- Xerces 2.2.1 and Xerces 2.2.9
- XMLSpy 2011

### 2.1.5.2 Test Cases

Following sample test files have been tested with XMPSpy 2011

VICGAS\_GasRetrieveResponseData\_InjectionNomination\_r31.xml

VICGAS\_GasRetrieveResponseData\_InjectionNomination\_r31NOIHNS.xml

VICGAS\_GasSubmitRequestData\_IHN\_NOIHNS\_r31.xml

VICGAS\_GasSubmitRequestData\_IHN\_r31.xml

VICGAS\_SearchResponse\_Data\_IHN\_NOIHN\_r31.xml

VICGAS\_SearchResponse\_Data\_IHN\_r31.xml

VICGAS\_SubmitResponseData\_IHN\_Invalid\_r31.xml

VICGAS\_SubmitResponseData\_IHN\_NOIHN\_r31.xml

VICGAS\_SubmitResponseData\_IHN\_r31.xml



## 3 Proposal Assessment

### 3.1 Test

The ASWG ensures that all recommended parsers on relevant platforms can successfully validate the proposed schema.

#### 3.1.1 Test Platforms

Supplied samples have been tested using the following parsers:

- MSXML4 SP1 and MSXML 6
- Xerces 2.2.1 and Xerces 2.2.9
- XMLSpy 2011

#### 3.1.2 Test Cases

Have provided following files as test cases

VICGAS\_GasRetrieveResponseData\_InjectionNomination\_r31.xml

VICGAS\_GasRetrieveResponseData\_InjectionNomination\_r31NOIHNS.xml

VICGAS\_GasSubmitRequestData\_IHN\_NOIHNS\_r31.xml

VICGAS\_GasSubmitRequestData\_IHN\_r31.xml

VICGAS\_SearchResponse\_Data\_IHN\_NOIHN\_r31.xml

VICGAS\_SearchResponse\_Data\_IHN\_r31.xml

VICGAS\_SubmitResponseData\_IHN\_Invalid\_r31.xml

VICGAS\_SubmitResponseData\_IHN\_NOIHN\_r31.xml

VICGAS\_SubmitResponseData\_IHN\_r31.xml

VICGAS\_GasSubmitResponseData\_r31.xml

### 3.1.3 Test Results

&lt;All OK... or note issues&gt;

## 3.2 Conformance Report

The ASWG completes the conformance report validating each proposed new schema file against the published aseXML guidelines.

Schema Filename	Impacted by Item #	Conformance Details
aseXML_r31.xsd	1	<Conforms... or note non-conformance>
Events_r31.xsd	2	<Conforms... or note non-conformance>
GasMarketWholesale_r31.xsd	3,4,5	<Conforms... or note non-conformance>

Table 3-1, Change Proposal Conformance Details

## 4 Issue Register

This section describes any issues that have arisen and any modifications that are made to the original proposal during the Change Process

### 4.1 Status of Issues

Issue#	Item#	Description and Discussion	Status <sup>2</sup>	Resolution
1				

Table 4-1, Issues list

## 5 Resolution

The ASWG votes for endorsement of the options identified in section 2, and the voting results are forwarded to AEMO for approval. When 75% of those ASWG members who voted endorse a specific option, this represents an ASWG Recommendation for that option. AEMO will not reject an ASWG Recommendation without first consulting with the ASWG.

### 5.1 ASWG Endorsement

The results of the ASWG vote are as follows:

Date of Vote: 21/12/2012

Option	# Votes	% Vote
Option 1 (section 2.1)		
Option 2 (section 2.2)		

<sup>2</sup> Either 'Open' or 'Closed'

Option # (section 2.#)		
Abstained		
Total Members Present		

Table 5-1, ASWG Vote Results